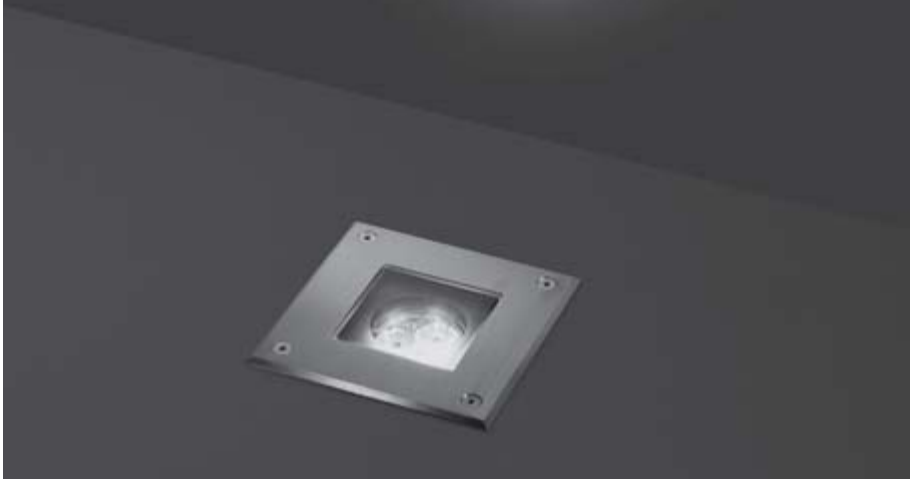


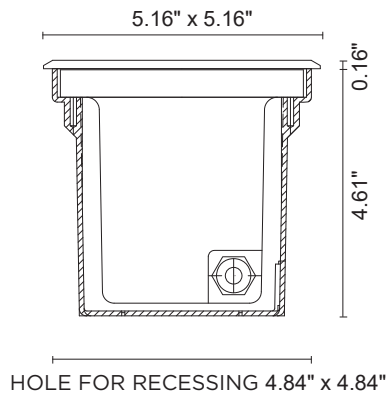
Technical features



202001P

HYDROQUADRO MINI

Square ground-recessed luminaire for outdoor installation, Phospho-chromatised and polyester powder coated die-cast copper-free aluminum body and stainless steel AISI 304 frame, tempered safety glass, molded silicone gasket. Built-in LED driver 120VAC 50-60Hz, with 3 CREE XP-G3 LED. IP67 rating.



Technical data

Wattage	3W
IP Rating	IP67
IK Rating	IK10
Material	High corrosion resistance die-cast copper-free aluminum body
Trim	Stainless steel AISI 304
Coating	Polyester powder coating with phosphochromating pre-finish
Light source	NR. 3 x 1W CREE "XP-G3" LED
Screws	Stainless steel
Transformer	Electronic power supply 120VAC 50-60Hz built-in
Static weight resistance	Max 11,000 lbs
Gasket	Silicone rubber
Glass	Tempered
Cable gland	M20
Adjustable	+/- 15 degrees
Power cable	3.28' neoprene power cable included
Gross weight	2.7 lbs
Included	Polypropylene recessing box included

light source	light beam options	lumen output (lm)	lumin. efficacy (lm/w)
3000°K warm-white			
high-power led	10°	346	115.33
high-power led	30°	329	109.66
high-power led	45°	312	104.00
4000°K neutral-white			
high-power led	10°	360	120.00
high-power led	30°	342	114.00
high-power led	45°	325	108.33

Finish color options:

 Stainless Steel

