

The
Magic
Of
Light.

i-lantern

design by Landa R&D

designplan 

79 Trenton Avenue
Frenchtown, NJ 08825

www.designplan.com

Tel: (908) 996-7710
Fax: (908) 996-7042



i-lantern

An interactive cage to seize the light, I-Lantern in the garden lamp version has a strong personality, a light direction with a diffused beam with a powerful 10W heart.

An aesthetic fusion which lives in parallel with a minimal design available in a wide range of possible outdoor installations in parks and gardens. The portable I-Lantern is fitted with a red leather handle, suitable for moving and positioning the device in its desired location.

The carrying frame measures 5.9" x 5.9" x h 11.8", is made in extruded aluminum and can be customized in four finishes made by powder coating, graphite, oxide, white and black. The alluring light of I-Lantern is enhanced by an opal, polycarbonate diffuser, the beam is diffused, available also in the re-chargeable and self-feeding version with autonomy of 3 hours at the maximum power.

Possibility of management and dimming via Bluetooth on request.

I-LANTERN | WALL LAMP

I-LANTERN | BOLLARD

I-LANTERN | POLE





i-lantern

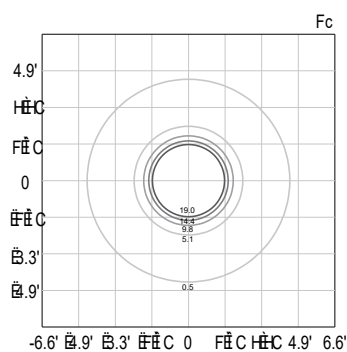
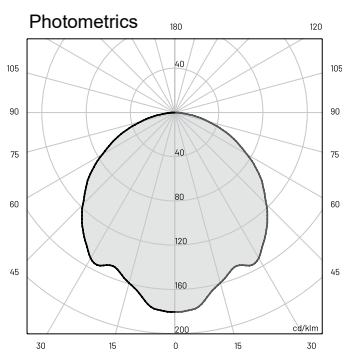
| 10W

DIFFUSE



TECHNICAL SPECIFICATIONS

	DIFFUSE (STANDARD)
Source lamp	LED 10W
Total wattage	12.5W
Voltage	120-277VAC, 50-60Hz
Control	0-10V Dimming
Light color	3000K
Luminous flux *Source flux	700 lm (1360 lm*)
Luminous efficacy	56 lm/W
McADAM steps	3
Beam	diffuse
CRI	> 90
Life time	L70 > 50,000 h Ta 40°C
IP rating	IP65 (schuko plug IP44)
IK rating	IK08



MATERIALS

Body	Die-cast aluminum EN47100 and extruded aluminum EN-AW6060*
Diffuser	Opal polycarbonate
Finishing	Polyester powder paint

* the portable version has a red leather handle with chromed elements

ORDER CODE

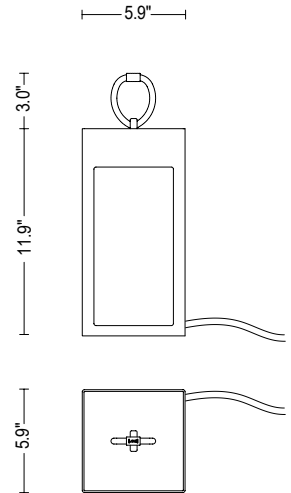
LN70PORDHB10_

Finishing

L	Graphite	●
V	Oxide	●
U	White	○
G	Black	●

Example

LN70PORDHB10L



INCLUDED ACCESSORIES

Code	Description
-	8.2' length cable H05RN-F



i-lantern

4W

DIFFUSE



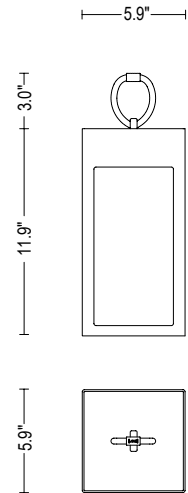
TECHNICAL SPECIFICATIONS

	<u>DIFFUSE (RECHARGEABLE)</u>
Source lamp	LED 4W
Total wattage	4W
Voltage	-
Control	On/Off
Light color	3000K
Luminous flux *Source flux	220 lm(440 lm*)
Luminous efficacy	55 lm/W
McADAM steps	3
Beam	diffuse
CRI	> 90
Life time	-
IP rating	IP65
IK rating	IK08
Note	charging port: USB TYPE-C 5 VDC - 1A 3 steps touch control: <ul style="list-style-type: none">• off• half power (7 h of light)• full power (3 h of light)

MATERIALS

Body	Die-cast aluminum EN47100 and extruded aluminum EN-AW6060*
Diffuser	Opal polycarbonate
Finishing	Polyester powder paint

* the portable version has a red leather handle with chromed elements



ORDER CODE

LN70PORDHB40_

Finishing

L	Graphite	●
V	Oxide	●
U	White	○
G	Black	●

Example

LN70PORDHB40L

INCLUDED ACCESSORIES

Code	Description
-	3.7 VDC Li-Ion battery

AVAILABLE ACCESSORIES

Code	Description
LN0409BT051	5 VDC - 3A Universal USB TYPE-C Charger

