



INSTRUCTIONS PERTAINING TO RISK OF FIRE OR INJURY TO PERSONS. READ ALL INSTRUCTIONS. IMPORTANT SAFETY INSTRUCTIONS. SAVE THESE INSTRUCTIONS.

DANGER - RISK OF SHOCK - DISCONNECT POWER BEFORE INSTALLATION! Please read all instructions before installation.

- Keep these instructions for future reference.
- Must be installed by a qualified electrician in accordance with national and local standards. Designplan is not responsible for fixtures installed without regard to these standards.
- The main power connection must be in accordance with local electrical codes.
- Unauthorized alterations or tampering of product voids warranty.
- Suitable for OUTDOOR applications.

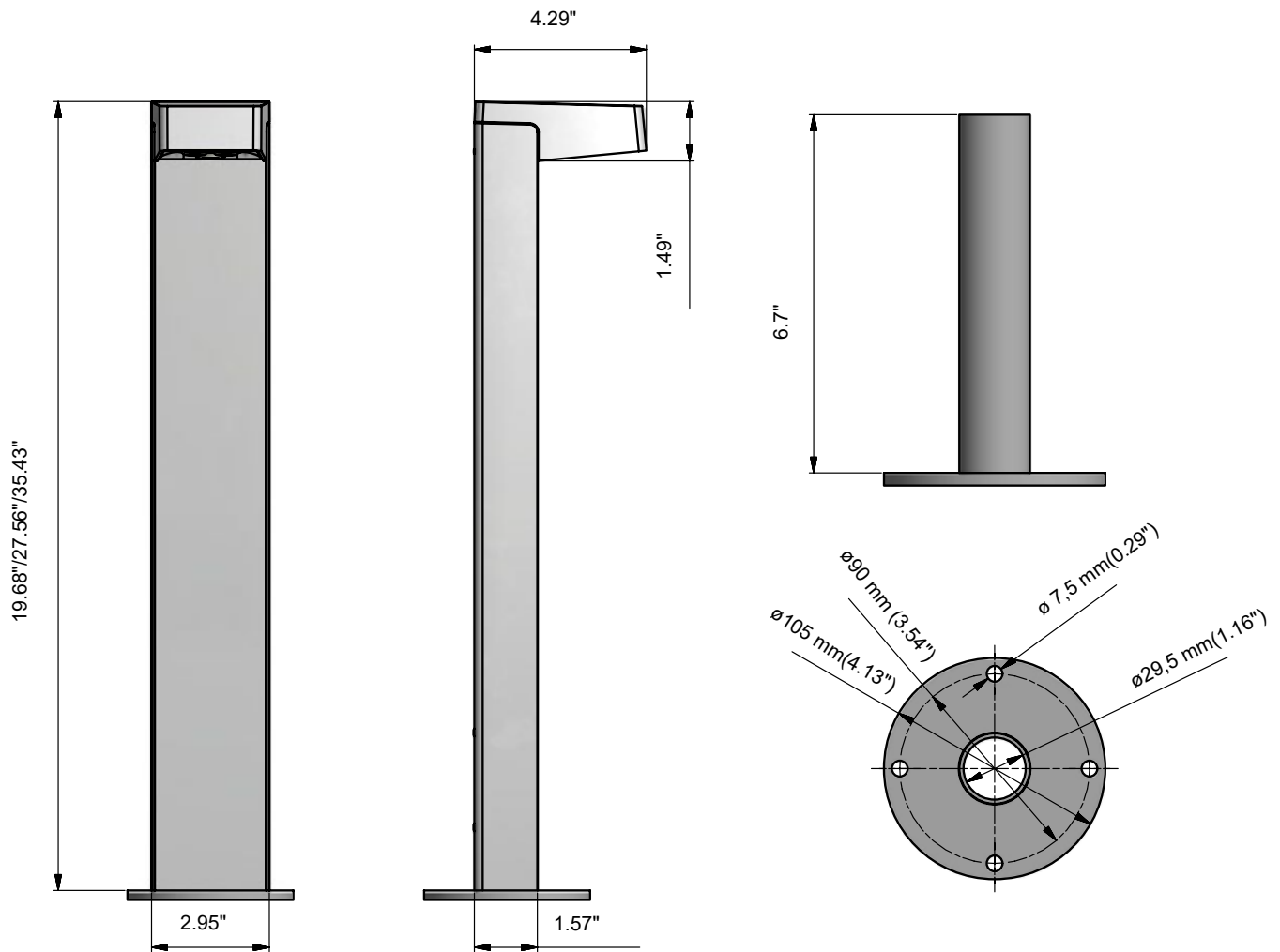


Maintenance

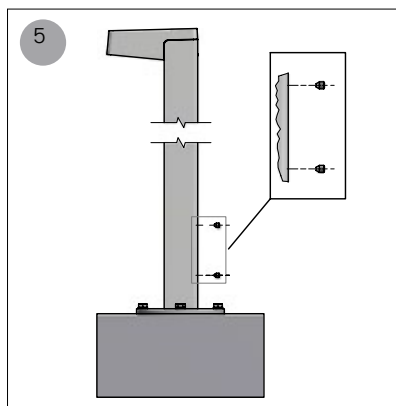
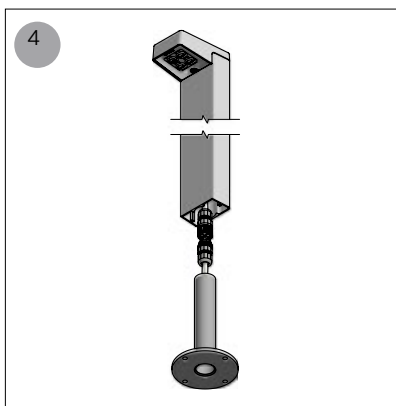
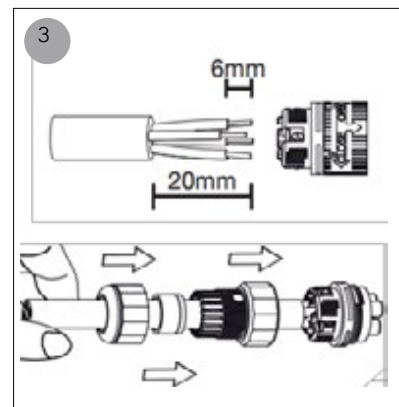
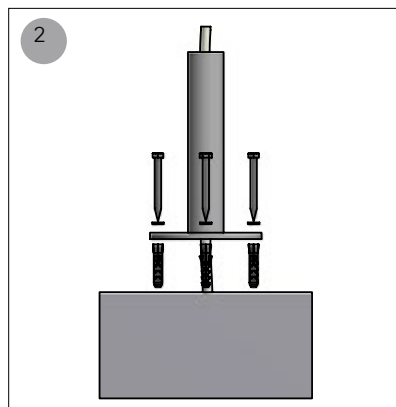
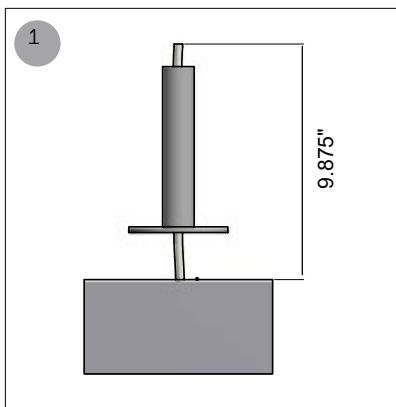
Scheduled maintenance must be carried out once a year on all lighting devices, regardless of appliance class and type of use. It must include the following operations:

- Periodically clean fixtures to remove dirt from gratings and screw heads.
- Check tightness of screws on various parts of the device.
- Check that all cable glands and cables are intact and tight. Check that the glass or plastic lens is intact, and replace it if broken or damaged.
- The internal components such as the ballast, driver, washers and screws must not show clear signs of oxidation or rust. Clear traces of rust and oxidation will indicate the presence of water inside the device.
- In the case of damage, the components must be replaced by original components or spare parts.

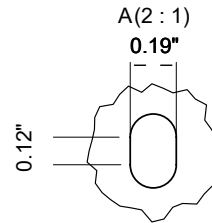
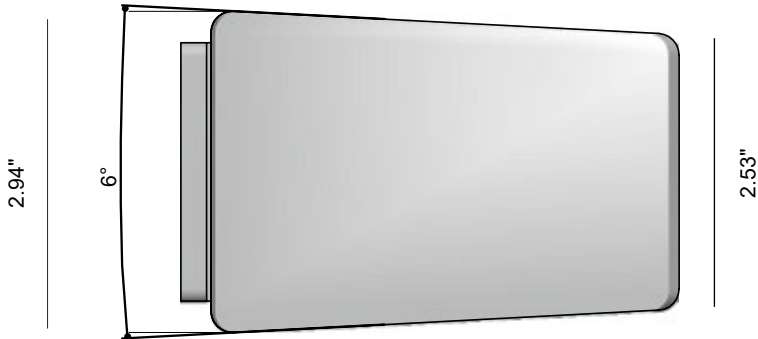
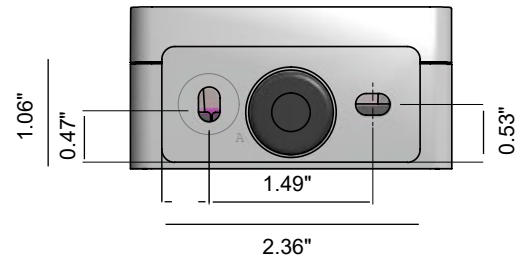
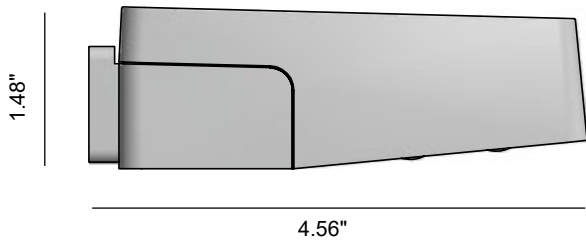
Fixture Installation (ground)



- Push the power cable through the hole in the base plate. 9-7/8" of cable length is sufficient.
- Align the base horizontally and fix it with the included screws.
- Connect the power cable to the included TH387 connector (1 = Neutral, 2= Phase, 4 = Ground (Only Protection class I)).
- Plug the connected connector to the one already present in the luminaire.
- Insert the bollard onto the base, align it and fix it with the included headless screws.



Fixture Installation (Wall)



- Open the screw on the bottom side of the luminaire.
- Drill two holes in the wall with a horizontal distance of 60 mm (2.36").
- Push the power cable through the rubber bushing.
- Mount the base part on the wall using the included screws.
- Connect the power cables to the clamps (brown = Phase, blue = Neutral, green/yellow = ground). If Safety class II use the silicon tubes on phase and neutral cable.
- Re-mount the head of the luminaire on the base part and fix it with the screw taken in (1).

