

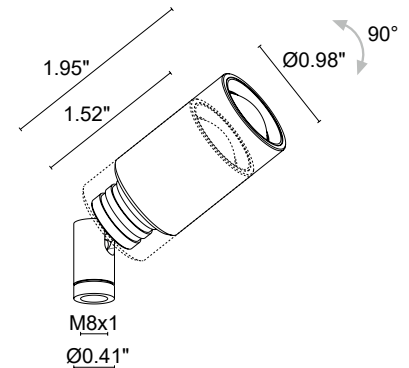
Krill 2.4 is a small, adjustable zoom, surface mounted floodlight with a pared-down design for indoor applications. The fixture is ideal for inside shop windows and display cabinets in retail and museum environments. Krill can be installed in a variety of ways to easily reach details that need emphasizing with a double-jointed arm that can be adjusted by up to 180°.



TECHNICAL DATA

Wattage / Input	2.5W (700mA)
Power Supply	Remote, not included. See page 2.
Construction	Body: Anticorodal Aluminum Joint: Brass Cable Length: 4.92'
CCT	2700K, 3000K, 4000K
CRI	>90
Delivered Lumens	176 lm (3000K, 70°)
Efficacy	70.4 lm/W (3000K, 70°)
Optics	Range 9°–70° (manual zoom)
Finishes	4 Standard, Custom RAL on request (see below)
Fixture Dimensions	Ø0.98" x 1.52"-1.95" h
Base Size	Ø0.41"
Fixture Weight	0.14 lbs
LED Source	1 Power LED
Lumen Maintenance	L90, B10 >50,000hrs (Ta 25°C)
Color Consistency	1/4 ANSI BIN
Operating Temp.	32°F to +113°F
IP Rating	IP40

Fixture Dimensions



Required installation accessories, not included. See page 2.

ORDERING INFORMATION

Example: **KI242010005R1Y**. Power Supplies / Required Accessories ordered separately.

KI24201000		R1	
Model No.	CCT	Optics	Finish
KI24201000	F - 2700K 5 - 3000K 9 - 4000K	R1 - 9°–70°	E - White N - Black Y - Rose Gold Z - Antique Bronze C - Custom RAL (Consult factory for "C")

Job Name/Date:

Fixture Type Designation:

SUGGESTED POWER SUPPLIES

700mA

Part Number	Description	Input/Output	# of Fixtures
PPLT00199	0-10V Dimming to 10%	120-277VAC to 700mA, 6W, Class 2	2-2
PPLT00470	Phase Dim (120V only)	120VAC to 700mA, 14W, Class 2	3-4
PPLT00465-P	0-10V Dimming to 1.0%	120-277VAC to 700mA, 20W, Class 2	1-8
PPLT00480-P	0-10V Dimming to 1.0%	120-277VAC to 700mA, 30W, Class 2	1-12
PPLT00261	Leading / Trailing Edge Dimming to 10% (120V only)	120-277VAC to 700mA, 32W, Class 2	9-11
PPLT00309-P	0-10V Dimming to 0.1%	120-277VAC to 700mA, 50W, Class 2	1-13
PPLT00538-P	0-10V Dimming to 0.1%	120-277VAC to 700mA, 100W, Class 2	1-40

Suggested Lutron Compatible

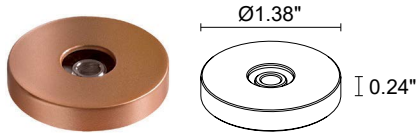
Part Number	Option	Lutron SKU	Dim Range	Description	Input/Output	# of Fixtures
PPLT00512	LTEA2W	LTEA	100%-1%	Hi-Lume™ 1% 2-Wire LED Driver (120V forward phase only)	120VAC to 700mA, 14W, Class 2	4-4
PPLT00515	L3DAE / L3DA3W	L3DA	100%-1%	Hi-Lume™ 1% EcoSystem™ or 1% 3-Wire LED Driver	120-277VAC to 700mA, 14W, Class 2	4-4
PPLT00517	L3DAE / L3DA3W	L3DA	100%-1%	Hi-Lume™ 1% EcoSystem™ or 1% 3-Wire LED Driver	120-277VAC to 700mA, 27W, Class 2	7-9
PPLT00278	LTEA2W	LTEA	100%-1%	Hi-Lume™ 1% 2-Wire LED Driver (120V forward phase only)	120VAC to 700mA, 27W, Class 2	7-9
PPLT00181	L3DAE / L3DA3W	L3DA	100%-1%	Hi-Lume™ 1% EcoSystem™ or 1% 3-Wire LED Driver	120-277VAC to 700mA, 38W, Class 2	13-13
PPLT00510	LTEA2W	LTEA	100%-1%	Hi-Lume™ 1% 2-Wire LED Driver (120V forward phase only)	120VAC to 700mA, 38W, Class 2	13-13

For other power supply options consult factory.

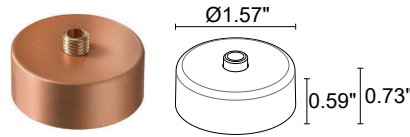
Job Name/Date:

Fixture Type Designation:

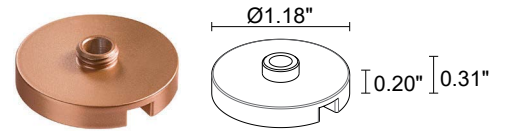
ACCESSORIES - Installation



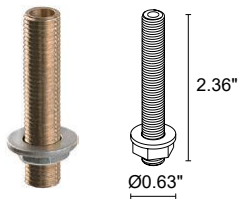
WDA00E - White
WDA00N - Black
WDA00Y - Rose Gold
WDA00Z - Antique Bronze
 Fixing Base



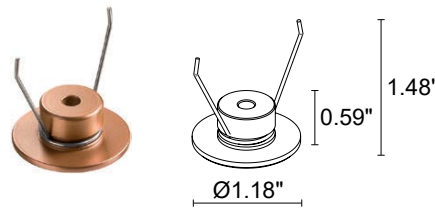
WDA03E - White
WDA03N - Black
WDA03Y - Rose Gold
WDA03Z - Antique Bronze
 Ceiling Canopy



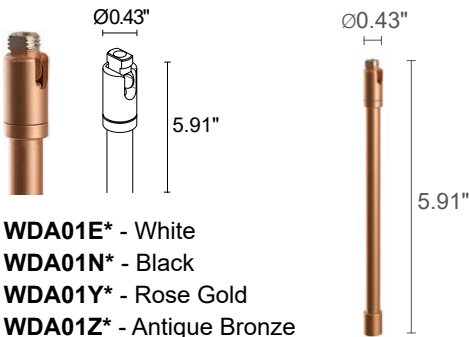
WDA04E - White
WDA04N - Black
WDA04Y - Rose Gold
WDA04Z - Antique Bronze
 Magnetic Plate



WGA01
 Coupler



WGA08E - White
WGA08N - Black
WGA08Y - Rose Gold
WGA08Z - Antique Bronze
 Fixing Spring



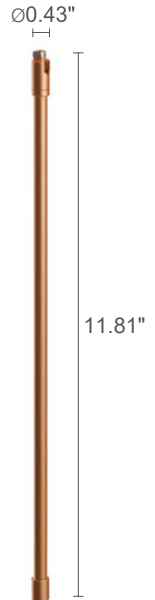
WDA01E* - White
WDA01N* - Black
WDA01Y* - Rose Gold
WDA01Z* - Antique Bronze
 Rigid arm - 5.91" height

*order together with the part WDA00X or with the part WGA01



WDA02E* - White
WDA02N* - Black
WDA02Y* - Rose Gold
WDA02Z* - Antique Bronze
 Rigid arm - 11.81" height

*order together with the part WDA00X or with the part WGA01



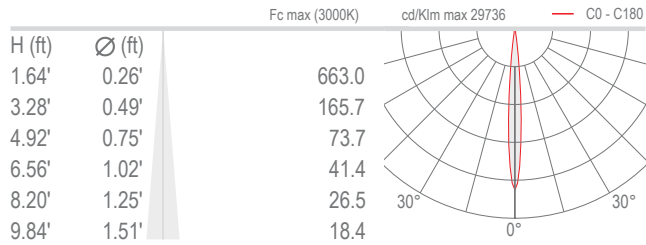
Job Name/Date:

Fixture Type Designation:

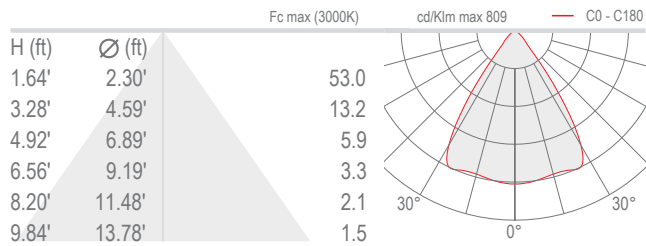
PHOTOMETRIC DATA

Note all Photometry is 3000K

R1 – 9° (9° - 70°)



R1 – 70° (9° - 70°)



Job Name/Date:

Fixture Type Designation: