

Technical features

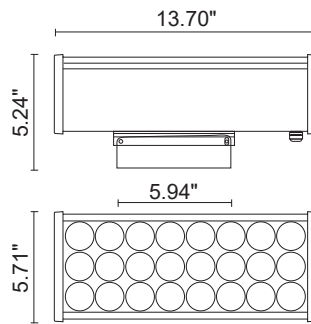
IP 66 IK 07



108004P


LASER MAXI

Skyscraper projector for outdoor installation to wall wash a building facade. Anodized extruded aluminum body, phosphochromatized and polyester powder coated die-cast copper-free aluminum closing caps, tempered safety glass, molded silicone gasket and stainless steel screws. Built-in LED driver 120VAC 50-60Hz, with 24 CREE LED. IP66 rating.



Technical data

Wattage	55W
IP Rating	IP66
IK Rating	IK07
Material	High corrosion resistance anodized extruded aluminum body, die-cast copper-free aluminum closing caps
Coating	Polyester powder coating with phosphochromating pre-finish
Light source	NR. 24 x 2W CREE LED
Screws	Stainless steel
Transformer	Electronic transformer 120VAC 50-60Hz included
Gasket	Silicone rubber
Glass	Tempered
Power cable	1.64' neoprene power cable included
Gross weight	10.1 lbs

light source	light beam options	lumen output (lm)	lumin. efficacy (lm/w)
3000°K warm-white			
high-power led	 5°	4,800	87.27

Finish color options:

 Silver

