

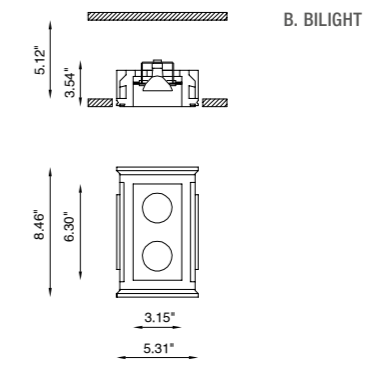
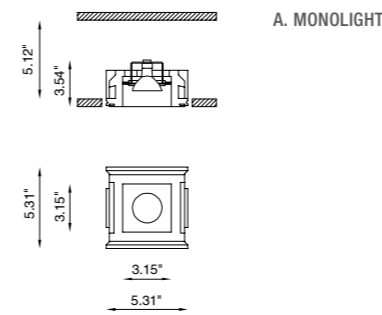
LIGHT



SINGLE AND DOUBLE LIGHT WITH EXPOSED LED.

Light is a fixture where substance blends in with matter to give life to a technology that guarantees the best result ever - pure light. A totally disappearing indoor recessed luminaire made of AirCoral®, installable on plasterboard or brick ceilings, Light blends into the space it is inserted in.

Available in single (Monolight) or double version (Bilight), its recessed light source with in-view mechanics creates a precise, technical light, able to change the balance of an environment.



TECHNICAL FEATURES

Code	BU6328.Z.AC (fig. A)	BU6318.Z.AC (fig. B)
Type	Downlight 90°	Downlight 90°
Material	AC: AirCoral®	AC: AirCoral®
Absorption capacity*	30.35 ft²	50.38 ft²
Weight	1.98 lbs	2.87 lbs
Mounting	Ceiling recessed	Ceiling recessed
IP rating	IP20	IP20
Control gear	Constant current electronic driver (not included)	Constant current electronic driver (not included)
Cut out for plasterboard	5.71" x 5.71"	8.86" x 5.71"
Lamp type	LED 500mA Vf: 18 VDC	LED 500 mA Vf: 2 x 18 VDC
Lamp wattage	1 x 9W	2 x 9W
Luminous efficacy	1125 lm - 3000K	2 x 1125 lm - 3000K
Light distribution	Wide beam 40°	Wide beam 40°
Fitting	-	-
Light color	White 3000K White 2700K 4000K (on request)	White 3000K White 2700K 4000K (on request)
Light hole	3.15" x 3.15"	6.30" x 3.15"
Voltage connection	By driver (optional)	By driver (optional)
CRI	>90	>90
	On request available emergency.	On request available emergency.



79 Trenton Avenue
Frenchtown, NJ 08825

www.designplan.com

Tel: (908) 996-7710
Fax: (908) 996-7042

* The absorption capacity per m² calculated by the American organization TCNA (Tile Council of North America) is measured for an average room of 2.7 m in height and therefore expressed in m²