

designplan™

79 Trenton Avenue
Frenchtown, NJ 08825

www.designplan.com

Tel: (908) 996-7710
Fax: (908) 996-7042



LINEAR 2.1 / 2.4 / 4.2
3000K, 4W - 13W -
14W, anthracite
height 23.62" - 9.84"
- 31.50"



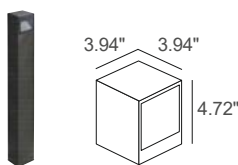
LINEAR

BOLLARDS FOR OUTDOOR APPLICATIONS

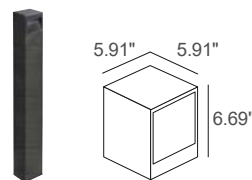


asymmetrical

2700K 3000K 4000K



HEIGHT 9.84"/23.62"/31.50"



HEIGHT 23.62"/31.50"



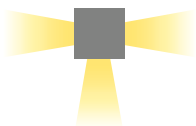
LINEAR 2.1
4W/8.5W 120VAC

LINEAR 4.1
8W/16W 120VAC

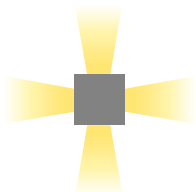


LINEAR 2.2
7W/15W 120VAC

LINEAR 4.2
14W/32W 120VAC



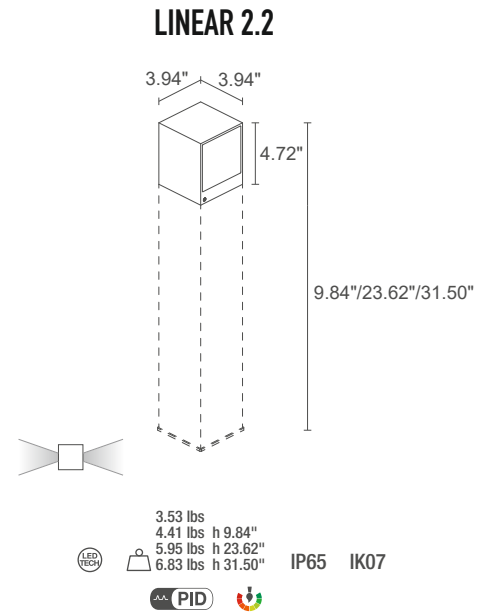
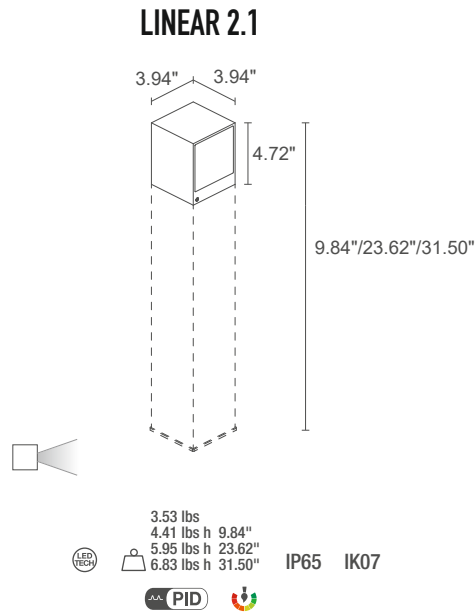
LINEAR 2.3
10W 120VAC



LINEAR 2.4
13W 120VAC

LINEAR 4.4
28W 120VAC

LINEAR 2

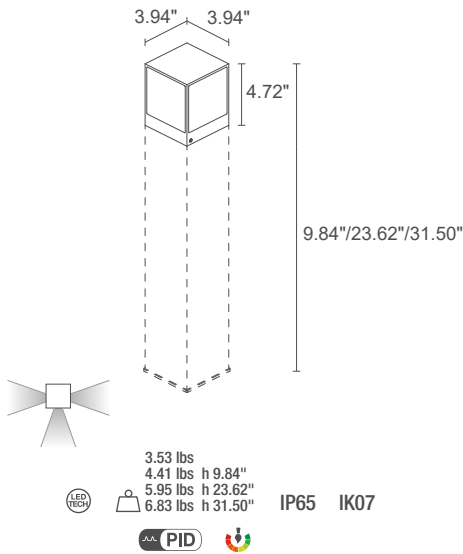


POWER / POWER SUPPLY	4W 120VAC
MODEL NO.	CL2110 ■ A F Grey CL2110 ■ A H Anthracite CL2110 ■ A T Cor-ten 8.5W 120VAC CL2111 ■ A F Grey CL2111 ■ A H Anthracite CL2111 ■ A T Cor-ten
■ LED COLOR	F - 2700K 5 - 3000K 9 - 4000K
OPTICS	asymmetrical
LUMEN OUTPUT AT SOURCE	184 lm (3000K, 4W) 657 lm (3000K, 8.5W)
DELIVERED LUMEN OUTPUT	100 lm (3000K, 4W) 284 lm (3000K, 8.5W)
NO. AND TYPE OF LED	1 power LED, 1/4 ANSI BIN (version 4W) 1 high-intensity power LED 3-step MacAdam (version 8.5W) 50,000h L90 B10 (Ta 25°C)
MATERIAL	head in aluminum, column in anticorodal aluminum lens in serigraphed, tempered, transparent extra-clear glass
POWER SUPPLY UNIT	built in
POWER CABLES	connection box with 3.28' cable H05RN-F 2x0.03" Ø0.25"
MOUNTING	surface mounted (ground)
ACCESSORIES	see accessories page

POWER / POWER SUPPLY	7W 120VAC
MODEL NO.	CL2210 ■ A F Grey CL2210 ■ A H Anthracite CL2210 ■ A T Cor-ten 15W 120VAC CL2211 ■ A F Grey CL2211 ■ A H Anthracite CL2211 ■ A T Cor-ten
■ LED COLOR	F - 2700K 5 - 3000K 9 - 4000K
OPTICS	asymmetrical
LUMEN OUTPUT AT SOURCE	184 lm (3000K, 7W) per beam 657 lm (3000K, 15W) per beam
DELIVERED LUMEN OUTPUT	100 lm (3000K, 7W) per beam 284 lm (3000K, 15W) per beam
NO. AND TYPE OF LED	2 power LEDs, 1/4 ANSI BIN (version 7W) 2 high-intensity power LEDs 3-step MacAdam (version 15W) 50,000h L90 B10 (Ta 25°C)
MATERIAL	head in aluminum, column in anticorodal aluminum lens in serigraphed, tempered, transparent extra-clear glass
POWER SUPPLY UNIT	built in
POWER CABLES	connection box with 3.28' cable H05RN-F 2x0.03" Ø0.25"
MOUNTING	surface mounted (ground)
ACCESSORIES	see accessories page

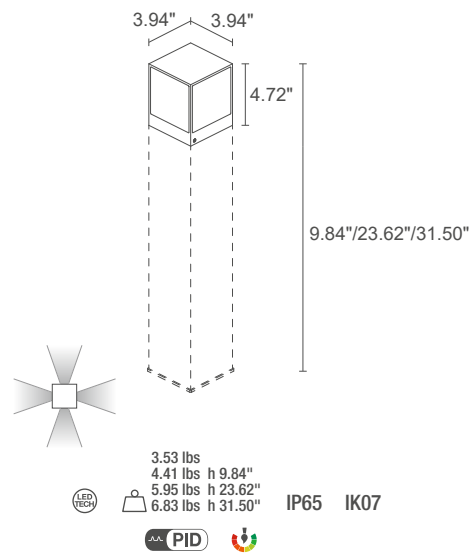


LINEAR 2.3



- 10W 120VAC
CL2310 **A F** Grey
CL2310 **A H** Anthracite
CL2310 **A T** Cor-ten

LINEAR 2.4



- 13W 120VAC
CL2410 **A F** Grey
CL2410 **A H** Anthracite
CL2410 **A T** Cor-ten

<p>F - 2700K 5 - 3000K 9 - 4000K</p>
asymmetrical
184 lm (3000K) per beam
100 lm (3000K) per beam
3 power LEDs 1/4 ANSI BIN, 50,000h L90 B10 (Ta 25°C)
head in aluminum, column in anticorrosion aluminum lens in serigraphed, tempered, transparent extra-clear glass
built in
connection box with 3.28' cable H05RN-F 2x0.03" Ø0.25"
surface mounted (ground)
see accessories page

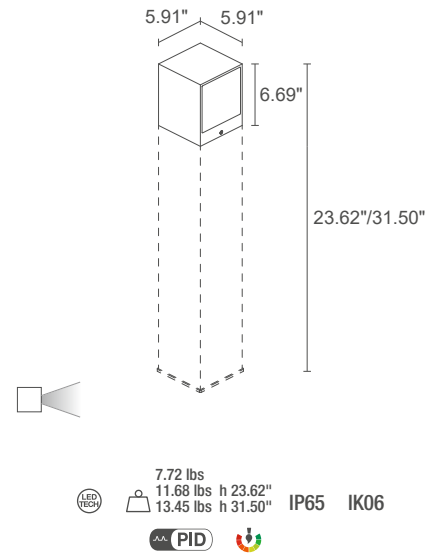
<p>F - 2700K 5 - 3000K 9 - 4000K</p>
asymmetrical
184 lm (3000K) per beam
100 lm (3000K) per beam
4 power LEDs 1/4 ANSI BIN, 50,000h L90 B10 (Ta 25°C)
head in aluminum, column in anticorrosion aluminum lens in serigraphed, tempered, transparent extra-clear glass
built in
connection box with 3.28' cable H05RN-F 2x0.03" Ø0.25"
surface mounted (ground)
see accessories page

LINEAR 4

✓
LINEAR 2.1
4000K, 4W, anthracite



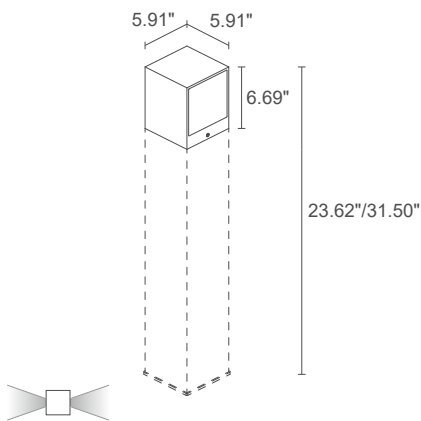
LINEAR 4.1



POWER / POWER SUPPLY	8W 120VAC
MODEL NO.	CL4110 ■ A F Grey CL4110 ■ A H Anthracite CL4110 ■ A T Cor-ten 16W 120VAC CL4111 ■ A F Grey CL4111 ■ A H Anthracite CL4111 ■ A T Cor-ten
■ LED COLOR	F - 2700K 5 - 3000K 9 - 4000K
OPTICS	asymmetrical
LUMEN OUTPUT AT SOURCE	436 lm (3000K, 8W) 1465 lm (3000K, 16W)
DELIVERED LUMEN OUTPUT	243 lm (3000K, 8W) 609 lm (3000K, 16W)
NO. AND TYPE OF LED	3 power LEDs, 1/4 ANSI BIN (version 8W) 3 high-intensity power LEDs 3-step MacAdam (version 16W) 50,000h L90 B10 (Ta 25°C)
MATERIAL	head in aluminum, column in anticorodal aluminum lens in serigraphed, tempered, transparent extra-clear glass
POWER SUPPLY UNIT	built in
POWER CABLES	connection box with 3.28' cable H05RN-F 2x0.03" Ø0.25"
MOUNTING	surface mounted (ground)
ACCESSORIES	see accessories page



LINEAR 4.2



7.72 lbs
11.68 lbs h 23.62"
13.45 lbs h 31.50"
LED VESU IP65 IK06
PID

14W 120VAC
CL4210 **A F** Grey
CL4210 **A H** Anthracite
CL4210 **A T** Cor-ten

32W 120VAC
CL4211 **A F** Grey
CL4211 **A H** Anthracite
CL4211 **A T** Cor-ten

F - 2700K
5 - 3000K
9 - 4000K

asymmetrical

436 lm (3000K, 14W) per beam
 1465 lm (3000K, 32W) per beam

243 lm (3000K, 14W) per beam
 609 lm (3000K, 32W) per beam

6 power LEDs, 1/4 ANSI BIN (version 14W)
 6 high-intensity power LEDs
 3-step MacAdam (version 32W)
 50,000h L90 B10 (Ta 25°C)

head in aluminum, column in anticorrosion aluminum
 lens in serigraphed, tempered,
 transparent extra-clear glass

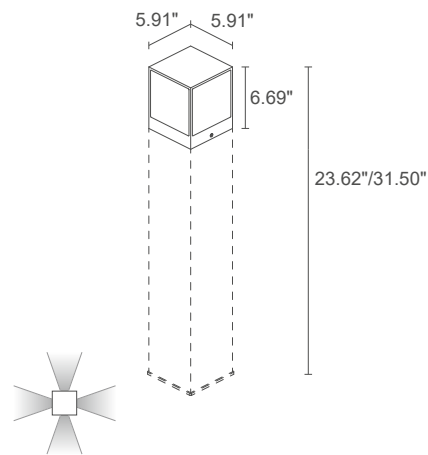
built in

connection box with 3.28' cable
 H05RN-F 2x0.03" Ø0.25"

surface mounted (ground)

see accessories page

LINEAR 4.4



7.72 lbs
11.68 lbs h 23.62"
13.45 lbs h 31.50"
LED VESU IP65 IK06
PID

28W 120VAC
CL4410 **A F** Grey
CL4410 **A H** Anthracite
CL4410 **A T** Cor-ten

F - 2700K
5 - 3000K
9 - 4000K

asymmetrical

436 lm (3000K) per beam

243 lm (3000K) per beam

12 power LEDs
 1/4 ANSI BIN, 50,000h L90 B10 (Ta 25°C)

head in aluminum, column in anticorrosion aluminum
 lens in serigraphed, tempered,
 transparent extra-clear glass

built in

connection box with 3.28' cable
 H05RN-F 2x0.03" Ø0.25"

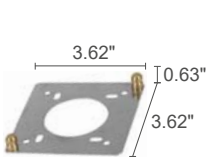
surface mounted (ground)

see accessories page

LINEAR

ACCESSORIES

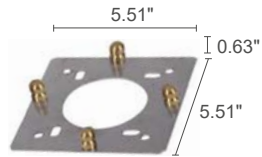
ACCESSORIES FOR INSTALLATION



WT000000

Plate for ground
installation

(Linear 2.1 / 2.2 / 2.3 / 2.4)



WT000001

Plate for ground
installation

(Linear 4.1 / 4.2 / 4.4)



h 9.84" including head

WT20250F - Gray

WT20250H - Anthracite

WT20250T - Cor-ten

h 23.62" including head

WT20600F - Gray

WT20600H - Anthracite

WT20600T - Cor-ten

h 31.50" including head

WT20800F - Gray

WT20800H - Anthracite

WT20800T - Cor-ten

Column

(Linear 2.1 / 2.2 / 2.3 / 2.4)



h 23.62" including head

WT40600F - Gray

WT40600H - Anthracite

WT40600T - Cor-ten

h 31.50" including head

WT40800F - Gray

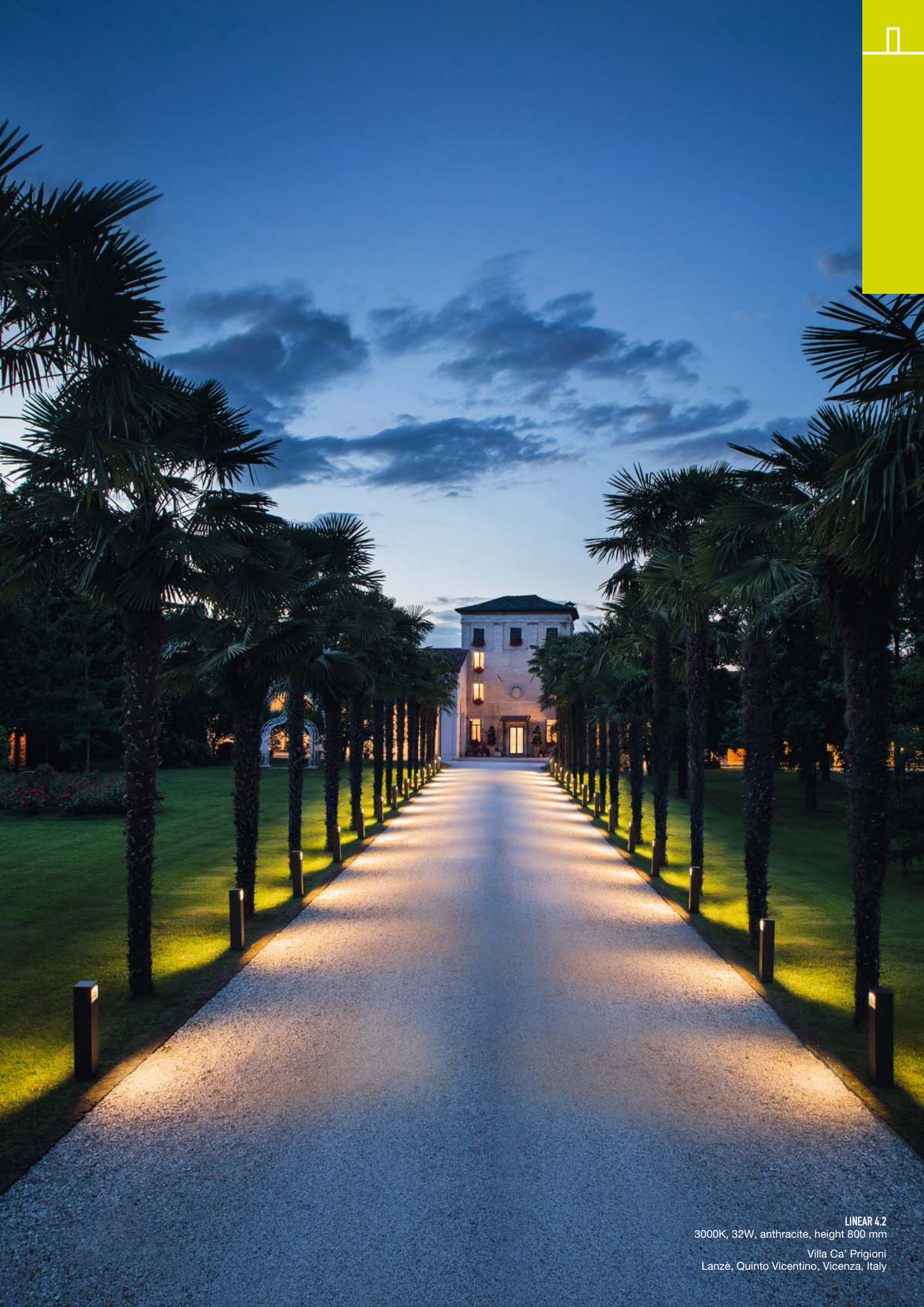
WT40800H - Anthracite

WT40800T - Cor-ten

Column

(Linear 4.1 / 4.2 / 4.4)

RAL finish available on request



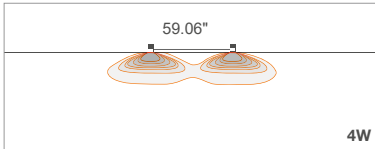
LINEAR 4.2
3000K, 32W, anthracite, height 800 mm
Villa Ca' Prigioni
Lanzè, Quinto Vicentino, Vicenza, Italy

LINEAR

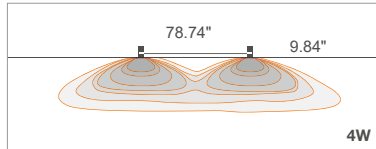
POSITIONING DIAGRAMS

LINEAR 2.1

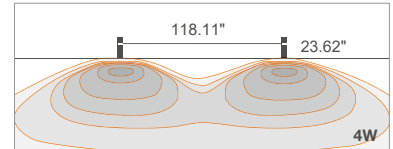
A - Asymmetrical



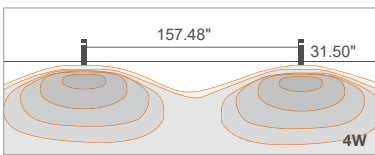
A - Asymmetrical



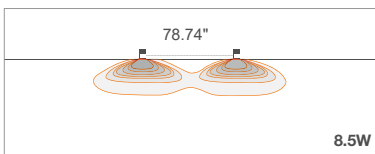
A - Asymmetrical



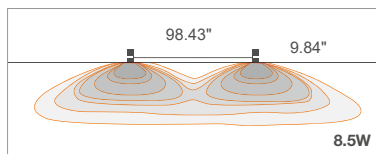
A - Asymmetrical



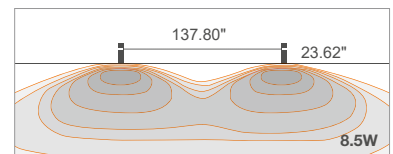
A - Asymmetrical



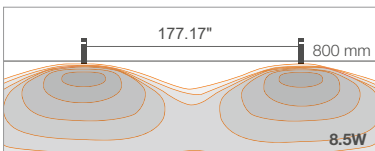
A - Asymmetrical



A - Asymmetrical



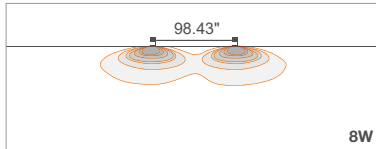
A - Asymmetrical



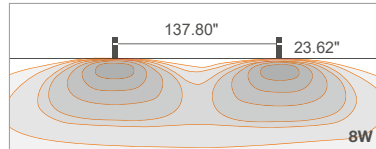


LINEAR 4.1

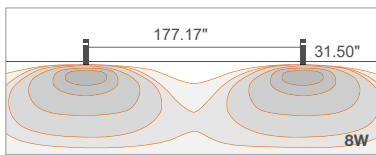
A - Asymmetrical



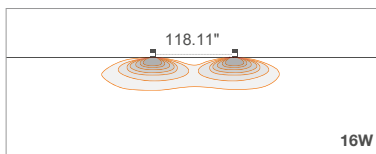
A - Asymmetrical



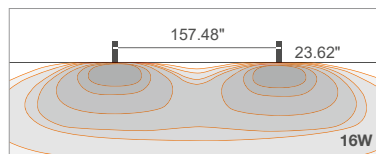
A - Asymmetrical



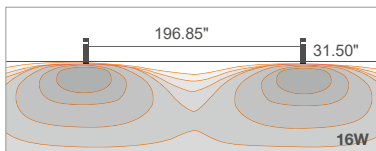
A - Asymmetrical



A - Asymmetrical



A - Asymmetrical



LINEAR 2.2
 3000K, 15W, anthracite, height 600 mm
 SPOT 1.6
 3000K, 2W, 10°
 Project by / Archingegno
 Light planning by / arch. Mariangela Alicino,
 ing. Alfonso Di Liddo
 Relais Sant'Agostino, Andria, Italy

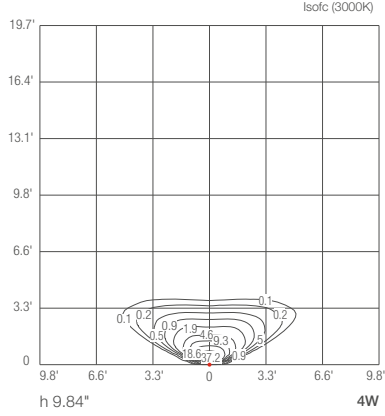


LINEAR

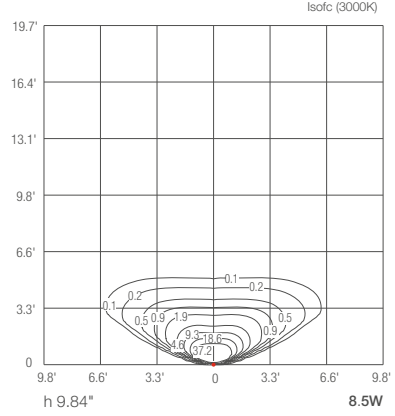
OUTDOOR BOLLARDS

LINEAR 2.1

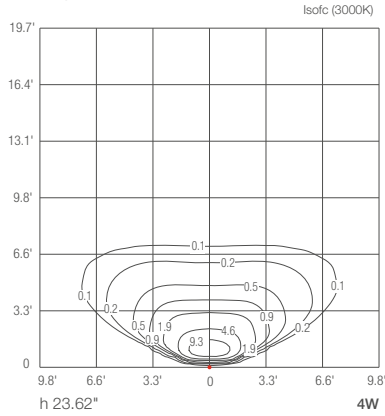
A - Asymmetrical



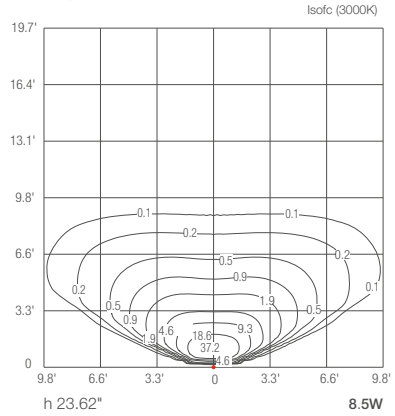
A - Asymmetrical



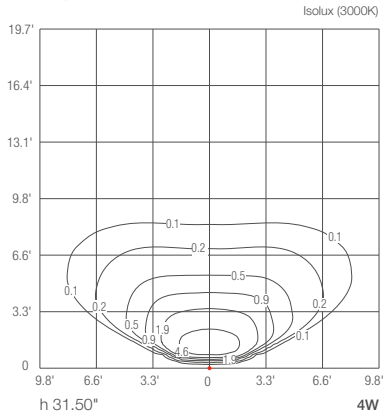
A - Asymmetrical



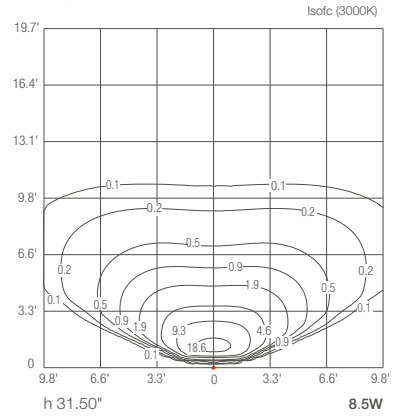
A - Asymmetrical



A - Asymmetrical



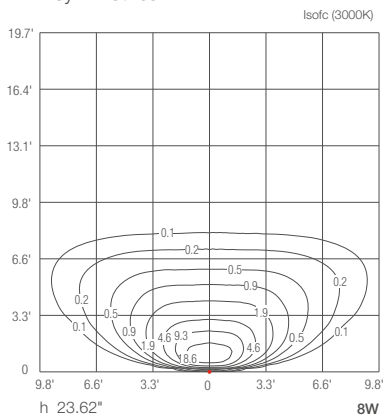
A - Asymmetrical



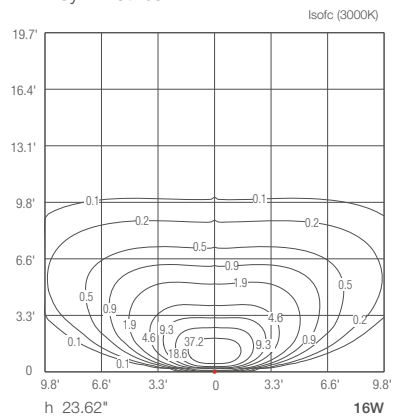


LINEAR 4.1

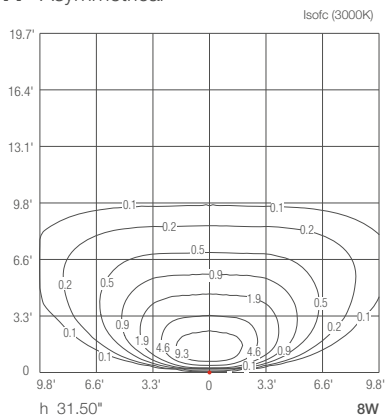
A - Asymmetrical



A - Asymmetrical



A - Asymmetrical



A - Asymmetrical

