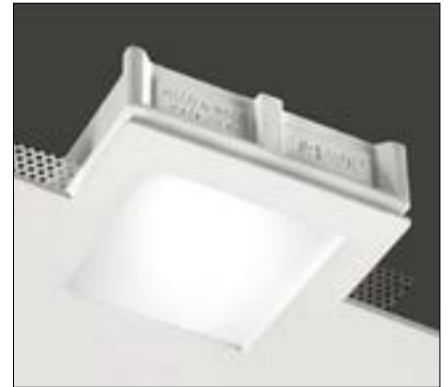


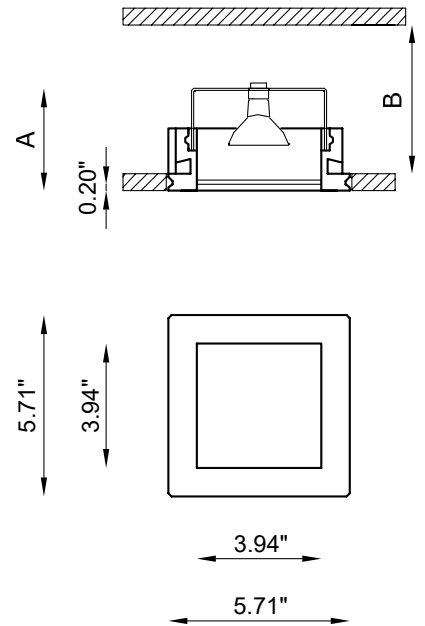
Liszt is a totally disappearing indoor recessed downlight installable on plasterboard, brick walls or ceilings. The body of this fixture is made of Coral® with extra white frosted glass.



TECHNICAL DATA

Wattage / Input	10W (500mA)
Power Supply	Remote, not included. See page 2.
Construction	Body: Coral® Lens: Extra White Satin Glass
CCT	3000K (2700K, 4000K upon request)
CRI	>90
Delivered Lumens	1050 lm (3000K)
Efficacy	105 lm/W (3000K)
Optics	40°
Finishes	—
Cut-Out Dimensions	6.10" x 6.10"
Fixture Dimensions	5.71" l x 5.71" w
Aperture	3.94" x 3.94"
Fixture Weight	1.98 lbs
LED Source	1 COB Professional LED
IP Rating	IP40

Ceiling Cut-Out: 6.10" x 6.10"
Fixture Dimensions: 5.71" l x 5.71" w



ORDERING INFORMATION

Example: BU4426.Z.00.US. Power Supplies ordered separately.

BU4426.Z.00.US

Model No.
BU4426.Z.00.US

Job Name/Date:

Fixture Type Designation:

SUGGESTED POWER SUPPLIES

500mA

Part Number	Description	Input/Output	Fixtures
PPLT00187	0-10V Dimming to 10%	120-277VAC to 500mA, 10W, Class 2	1-1
PPLT00497	Phase Dim (120V Only)	120VAC to 500mA, 12W, Class 2	1-1
PPLT00465-P	0-10V Dimming to 1.0%	120-277VAC to 500mA 20W, Class 2	1-2
PPLT00467-P	0-10V Dimming to 1.0%	120-277VAC to 500mA, 50W, Class 2	1-2
PPLT00538-P	0-10V Dimming to 0.1%	120-277VAC to 500mA, 100W, Class 2	1-8

Suggested Lutron Compatible Drivers

Part Number	Option	Lutron SKU	Dim Range	Description	Input/Output	Fixtures
PPLT00249	LTEA2W	LTEA	100%-1%	Hi-Lume™ 1% 2-Wire LED Driver (120V forward phase only)	120VAC, 10W	1-1
PPLT00259	L3DAE / L3DA3W	L3DA	100%-1%	Hi-Lume™ 1% EcoSystem™ or 1% 3-Wire LED Driver	120-277VAC, 10W	1-1
PPLT00195	L3DAE / L3DA3W	L3DA	100%-1%	Hi-Lume™ 1% EcoSystem™ or 1% 3-Wire LED Driver	120-277VAC, 19W	1-1
PPLT00180	L3DAE / L3DA3W	L3DA	100%-1%	Hi-Lume™ 1% EcoSystem™ or 1% 3-Wire LED Driver	120-277VAC , 27W	2-2
PPLT00250	LTEA2W	LTEA	100%-1%	Hi-Lume™ 1% 2-Wire LED Driver (120V forward phase only)	120VAC, 27W	2-2

For other power supply options consult factory.

ACCESSORIES

Installation



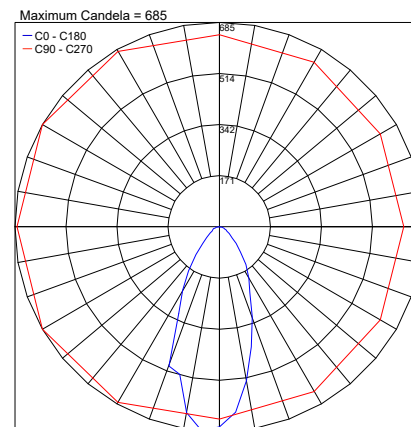
BACK BOX

BR4426-LT - Back box to be used for IC rating

BR4426-LT-C - Back box to be used for Chicago Plenum

BR4426-LT-PC - Back box to be used for Concrete Pour

PHOTOMETRIC DATA



Job Name/Date:

Fixture Type Designation: