

Maxi Bild is a square recessed downlight made of Coral®, suitable for indoor installation on ceilings where it becomes an integral part of the surface. It has a rearward frosted glass lens and is available in 3000K standard with a 40° optic and a 90° light beam inclination.



TECHNICAL DATA

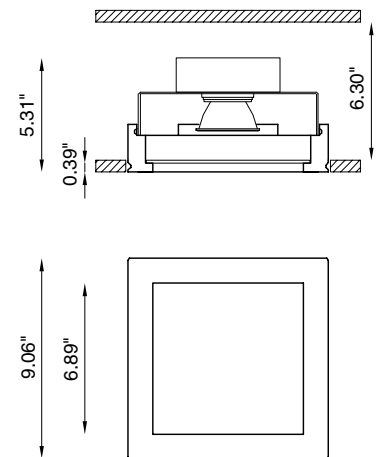
Wattage / Input	27W (700mA)
Power Supply	Remote, not included. See page 2.
Construction	Body: Coral® Lens: 0.39" Rearward Frosted Glass
CCT	3000K (2700K, 4000K on request)
CRI	>90
Delivered Lumens	1711 lm (3000K)
Efficacy	63.4 lm/W
Optics	40°
Finishes	Coral® Plaster
Fixture Dimensions	9.06" l x 9.06" w x 5.31" h
Cut-out Dimension	9.45" x 9.45"
Aperature	6.89" x 6.89"
Fixture Weight	6.61 lbs
IP Rating	IP40

The body is made of Coral® a unique patented composite material made from natural minerals and aggregating elements.

Additionally, Coral® is:

- Extreme resistance to high temperatures and thermal shock.
- Highly impervious to knocks and scratches.
- Can easily be decorated with any type of paint (water or spirit based).
- Made of non-toxic materials and is non-allergic.
- Does not produce fumes, even in case of fire.
- Naturally dust repellent.

Fixture Dimensions



ORDERING INFORMATION

Example: BU4411.00.30.US. Accessories / Power Supplies ordered separately.

BU4411	00		US
Model No.	Finish	CCT	
BU4411	00 - Coral®	30 - 3000K (standard) 27 - 2700K (on request) 40 - 4000K (on request)	US

Job Name/Date:

Fixture Type Designation:

SUGGESTED POWER SUPPLIES

700mA

Part Number	Description	Input/Output	# of Fixtures
PPLT00480-P	0-10V Dimming to 1.0%	120-277VAC to 700mA, 30W, Class 2, DAMP	1-1
PPLT00261	Leading / Trailing-Edge Dimming to 10% (120V only)	120-277VAC to 700mA, 32W, Class 2	1-1
PPLT00467-P	0-10V Dimming to 1.0%	120-277VAC to 700mA, 50W, Class 2	1-1

Suggested Lutron Compatible

Part Number	Option	Lutron SKU	Dim Range	Description	Input/Output	# of Fixtures
PPLT00510	LTEA2W	LTEA	100%-1%	Hi-Lume™ 1% 2-Wire LED Driver (120V forward phase only)	120VAC to 700mA, 38W, Class 2	1-1
PPLT00181	L3DAE / L3DA3W	L3DA	100%-1%	Hi-Lume™ 1% EcoSystem™ or 1% 3-Wire LED Driver	120-277VAC to 700mA, 38W, Class 2	1-1

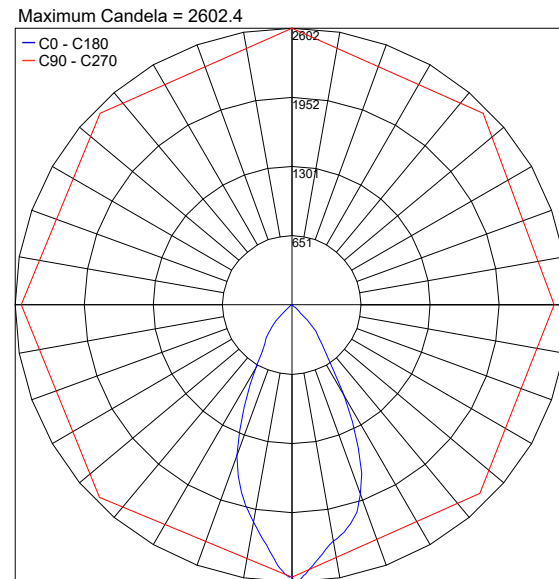
For other power supply options consult factory.

ACCESSORIES

Installation - Consult Factory for Back Box

PHOTOMETRIC DATA

Note: All Photometry is 3000K



PHOTOMETRIC FILENAME : MAXI BILD LED BU4411.00.IES

Job Name/Date:

Fixture Type Designation: