

Maxi Rim is a round recessed downlight made of Coral®, suitable for indoor installation on ceilings where it becomes an integral part of the surface. It has a bright sphere in satin glass and is available in 3000K standard with a 40° optic and a 90° light beam inclination.



## TECHNICAL DATA

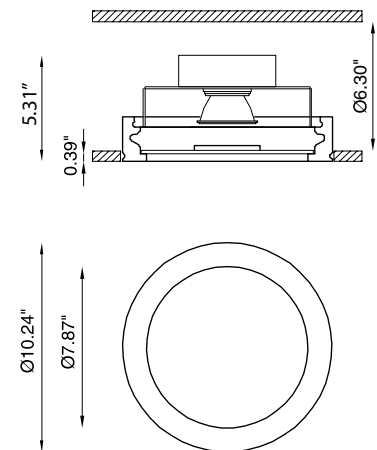
<b>Wattage / Input</b>	27W (700mA)
<b>Power Supply</b>	Remote, not included. See page 2.
<b>Construction</b>	Body: Coral® Lens: 0.39" Rearward Frosted Glass
<b>CCT</b>	3000K (2700K, 4000K on request)
<b>CRI</b>	>90
<b>Delivered Lumens</b>	1711 lm (3000K)
<b>Efficacy</b>	63.4 lm/W
<b>Optics</b>	40°
<b>Finishes</b>	Coral® Plaster
<b>Fixture Dimensions</b>	Ø10.24" x 5.31" h
<b>Cut-out Dimension</b>	Ø10.63"
<b>Aperature</b>	Ø7.87"
<b>Fixture Weight</b>	4.63 lbs
<b>IP Rating</b>	IP40

The body is made of Coral® a unique patented composite material made from natural minerals and aggregating elements.

Additionally, Coral® is:

- Extreme resistance to high temperatures and thermal shock.
- Highly impervious to knocks and scratches.
- Can easily be decorated with any type of paint (water or spirit based).
- Made of non-toxic materials and is non-allergic.
- Does not produce fumes, even in case of fire.
- Naturally dust repellent.

Fixture Dimensions



## ORDERING INFORMATION

Example: BU4441.00.30.US. Accessories / Power Supplies ordered separately.

BU4441	00		US
Model No.	Finish	CCT	
BU4441	00 - Coral®	30 - 3000K (standard) 27 - 2700K (on request) 40 - 4000K (on request)	US

Job Name/Date:

Fixture Type Designation:

## SUGGESTED POWER SUPPLIES

700mA

Part Number	Description	Input/Output	# of Fixtures
<a href="#">PPLT00480-P</a>	0-10V Dimming to 1.0%	120-277VAC to 700mA, 30W, Class 2	1-1
<a href="#">PPLT00261</a>	Leading / Trailing Edge Dimming to 10% (120V only)	120-277VAC to 700mA, 32W, Class 2	1-1
<a href="#">PPLT00309-P</a>	0-10V Dimming to 0.1%	120-277VAC to 700mA, 50W, Class 2	1-1

## Lutron Compatible

Part Number	Option	Lutron SKU	Dim Range	Description	Input/Output	# of Fixtures
<a href="#">PPLT00510</a>	LTEA2W	LTEA	100%-1%	Hi-Lume™ 1% 2-Wire LED Driver (120V forward phase only)	120VAC to 700mA, 38W, Class 2	1-1
<a href="#">PPLT00181</a>	L3DAE / L3DA3W	L3DA	100%-1%	Hi-Lume™ 1% EcoSystem™ or 1% 3-Wire LED Driver	120-277VAC to 700mA, 38W, Class 2	1-1

For other power supply options consult factory.

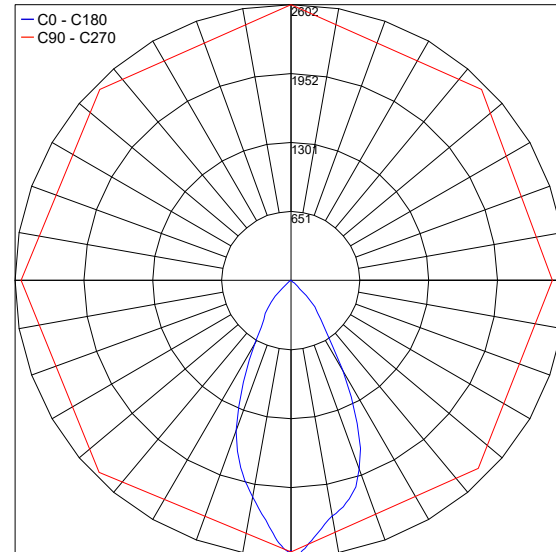
## ACCESSORIES

Installation - Consult Factory for Back Box

## PHOTOMETRIC DATA

Note: All Photometry is 3000K

Maximum Candela = 2602.4



PHOTOMETRIC FILENAME : MAXI RIM LED BU4441.00.IES

Job Name/Date:

Fixture Type Designation: