

MINI IP20

INDOOR

Fix (not adjustable) 0° - 0°

□ 4.02" × 9.37"

Material : CALCYT® plaster

MINI LED DIM 100 LM


REF N° 149 60 500 CRI 80 warm white 2200°K

REF N° 149 60 000 CRI 90 warm white 2700°K

REF N° 149 60 100 CRI 90 warm white 3000°K

REF N° 149 60 200 CRI 90 neutral white 4000°K

REF N° 149 60 300 royal blue

1W - excl. LED driver - current
controlled 350mA - 

Ⓢ - serial wiring - 3 Step MacAdam
Requires remote LED driver - 350mA

MINI LED DIM 200 LM


REF N° 149 62 500 CRI 80 warm white 2200°K

REF N° 149 62 000 CRI 90 warm white 2700°K

REF N° 149 62 100 CRI 90 warm white 3000°K

REF N° 149 62 200 CRI 90 neutral white 4000°K

REF N° 149 62 300 royal blue

2W - excl. LED driver - current
controlled 350mA - 

Ⓢ - serial wiring - 3 Step MacAdam
Requires remote LED driver - 350mA

MINI LED DIM 400 LM


REF N° 149 61 500 CRI 80 warm white 2200°K

REF N° 149 61 000 CRI 90 warm white 2700°K

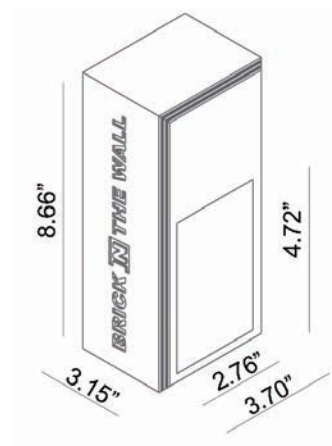
REF N° 149 61 100 CRI 90 warm white 3000°K

REF N° 149 61 200 CRI 90 neutral white 4000°K

REF N° 149 61 300 royal blue

4W - excl. LED driver - current
controlled 350mA - 

Ⓢ - serial wiring - 3 Step MacAdam
Requires remote LED driver - 350mA



Ready for installation in solid walls
Optional plasterkit for installation into gypsum walls

PLASTERKIT MINI

REF N° 749 01 000 For mounting into gypsum walls

MINI & NANO

designplan™ 

79 Trenton Avenue
Frenchtown, NJ 08825

Tel: (908) 996-7710
Fax: (908) 996-7042