

MINI IP54

BATHROOM

Fix (not adjustable) 0° - 0°

4.02" × 9.37"

Material : CALCYT® plaster

MINI LED DIM 100 LM

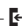
REF N° 149 60 501 CRI 80 warm white 2200°K

REF N° 149 60 001 CRI 90 warm white 2700°K

REF N° 149 60 101 CRI 90 warm white 3000°K

REF N° 149 60 201 CRI 90 neutral white 4000°K

REF N° 149 60 301 royal blue

1W - excl. LED driver - current
controlled 350mA - 

Ⓟ - serial wiring - 3 Step MacAdam
Requires remote LED driver - 350mA

MINI LED DIM 200 LM


REF N° 149 62 501 CRI 80 warm white 2200°K

REF N° 149 62 001 CRI 90 warm white 2700°K

REF N° 149 62 101 CRI 90 warm white 3000°K

REF N° 149 62 201 CRI 90 neutral white 4000°K

REF N° 149 62 301 royal blue

2W - excl. LED driver - current
controlled 350mA - 

Ⓟ - serial wiring - 3 Step MacAdam
Requires remote LED driver - 350mA

MINI LED DIM 400 LM


REF N° 149 61 501 CRI 80 warm white 2200°K

REF N° 149 61 001 CRI 90 warm white 2700°K

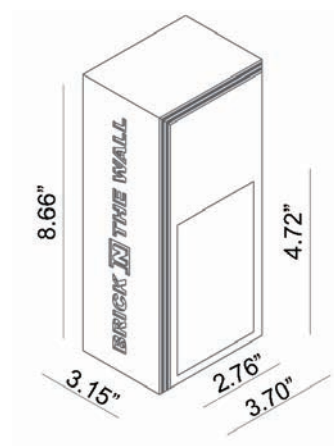
REF N° 149 61 101 CRI 90 warm white 3000°K

REF N° 149 61 201 CRI 90 neutral white 4000°K

REF N° 149 61 301 royal blue

4W - excl. LED driver - current
controlled 350mA - 

Ⓟ - serial wiring - 3 Step MacAdam
Requires remote LED driver - 350mA



Ready for installation in solid walls
Optional plasterkit for installation into gypsum walls

PLASTERKIT MINI

REF N° 749 01 000 For mounting into gypsum walls