

MINI IP54

OUTDOOR

Fix (not adjustable) 0° - 0°

4.02" × 9.37"

Material : waterproof CALCYT+®

MINI LED DIM 100 LM

REF N° 149 60 505 CRI 80 warm white 2200°K

REF N° 149 60 005 CRI 90 warm white 2700°K

REF N° 149 60 105 CRI 90 warm white 3000°K

REF N° 149 60 205 CRI 90 neutral white 4000°K

REF N° 149 60 305 royal blue

1W - excl. LED driver - current controlled 350mA - E

Ⓢ - serial wiring - 3 Step MacAdam
Requires remote LED driver - 350mA

MINI LED DIM 200 LM

REF N° 149 62 505 CRI 80 warm white 2200°K

REF N° 149 62 005 CRI 90 warm white 2700°K

REF N° 149 62 105 CRI 90 warm white 3000°K

REF N° 149 62 205 CRI 90 neutral white 4000°K

REF N° 149 62 305 royal blue

2W - excl. LED driver - current controlled 350mA - E

Ⓢ - serial wiring - 3 Step MacAdam
Requires remote LED driver - 350mA

MINI LED DIM 400 LM

REF N° 149 61 505 CRI 80 warm white 2200°K

REF N° 149 61 005 CRI 90 warm white 2700°K

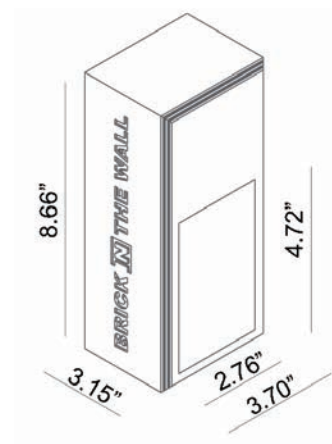
REF N° 149 61 105 CRI 90 warm white 3000°K

REF N° 149 61 205 CRI 90 neutral white 4000°K

REF N° 149 61 305 royal blue

4W - excl. LED driver - current controlled 350mA - E

Ⓢ - serial wiring - 3 Step MacAdam
Requires remote LED driver - 350mA



Ready for installation in solid walls
Optional plasterkit for installation into gypsum walls

PLASTERKIT MINI

REF N° 749 01 000 For mounting into gypsum walls

MINI & NANO

designplan™

79 Trenton Avenue
Frenchtown, NJ 08825

Tel: (908) 996-7710
Fax: (908) 996-7042