

MINI SQUARE IP20

INDOOR

Fix (not adjustable) 0° - 0°

4.02" × 7.48"

Material : CALCYT® plaster

MINI SQUARE LED DIM 100 LM


REF N° 150 60 500 CRI 80 warm white 2200°K

REF N° 150 60 000 CRI 90 warm white 2700°K

REF N° 150 60 100 CRI 90 warm white 3000°K

REF N° 150 60 200 CRI 90 neutral white 4000°K

REF N° 150 60 300 royal blue

1W - excl. LED driver - current
controlled 350mA - 

Ⓟ - serial wiring - 3 Step MacAdam

Requires remote LED driver - 350mA

MINI SQUARE LED DIM 200 LM


REF N° 150 62 500 CRI 80 warm white 2200°K

REF N° 150 62 000 CRI 90 warm white 2700°K

REF N° 150 62 100 CRI 90 warm white 3000°K

REF N° 150 62 200 CRI 90 neutral white 4000°K

REF N° 150 62 300 royal blue

2W - excl. LED driver - current
controlled 350mA - 

Ⓟ - serial wiring - 3 Step MacAdam

Requires remote LED driver - 350mA

MINI SQUARE LED DIM 400 LM


REF N° 150 61 500 CRI 80 warm white 2200°K

REF N° 150 61 000 CRI 90 warm white 2700°K

REF N° 150 61 100 CRI 90 warm white 3000°K

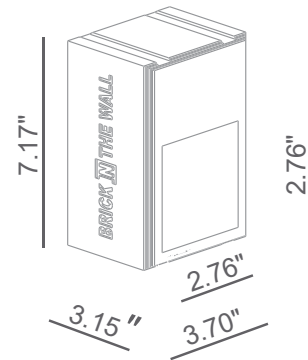
REF N° 150 61 200 CRI 90 neutral white 4000°K

REF N° 150 61 300 royal blue

4W - excl. LED driver - current
controlled 350mA - 

Ⓟ - serial wiring - 3 Step MacAdam

Requires remote LED driver - 350mA



Ready for installation in solid walls
Optional plasterkit for installation into gypsum walls

PLASTERKIT MINI SQUARE
REF N° 750 01 000 For mounting into gypsum walls