

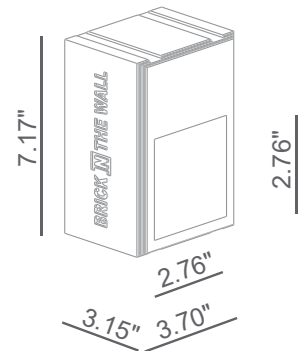
MINI SQUARE IP54

BATHROOM

Mini Square are recessed wall luminaires made of Calcyt® plaster that can be used as an uplight or downlight orientation lighting. It is the baby brother of the Normal series and they are available as indoor (IP20), bathroom or outdoor (IP54) versions in 5 color temperatures.



Ceiling Cut-Out: 4.02" x 7.48"
Fixture Dimensions



TECHNICAL DATA

Wattage / Input	1W, 2W, 4W (350mA)
Power Supply	Remote, not included. See page 2.
Construction	Body: CALCYT® plaster
CCT	2200K, 2700K, 3000K, 4000K, Royal Blue
CRI	>90 and >80
Delivered Lumens	—
Efficacy	—
Optics	Fixed
Finishes	Paintable Plaster
Fixture Dimensions	3.70" l x 3.15" w x 7.17" h
Cut-out Dimension	4.02" x 7.48"
Aperature	2.76" x 2.76"
Color Consistency	3-Step MacAdam
IP Rating	IP20

ORDERING INFORMATION

Example: 150 60 201. Accessories / Power Supplies ordered separately.

Model No.	Description	Model No.	Description
150 60 501 - 2200K	1W, 100 lm, CRI 80, IP54 Bathroom	150 61 501 - 2200K	4W, 400 lm, CRI 80, IP54 Bathroom
150 60 001 - 2700K	1W, 100 lm, CRI 90, IP54 Bathroom	150 61 001 - 2700K	4W, 400 lm, CRI 90, IP54 Bathroom
150 60 101 - 3000K	1W, 100 lm, CRI 90, IP54 Bathroom	150 61 101 - 3000K	4W, 400 lm, CRI 90, IP54 Bathroom
150 60 201 - 4000K	1W, 100 lm, CRI 90, IP54 Bathroom	150 61 201 - 4000K	4W, 400 lm, CRI 90, IP54 Bathroom
150 60 301 - Royal Blue	1W, 100 lm, IP20 IP54 Bathroom	150 61 301 - Royal Blue	4W, 400 lm, IP54 Bathroom
150 62 501 - 2200K	2W, 200 lm, CRI 80, IP54 Bathroom		
150 62 001 - 2700K	2W, 200 lm, CRI 90, IP54 Bathroom		
150 62 101 - 3000K	2W, 200 lm, CRI 90, IP54 Bathroom		
150 62 201 - 4000K	2W, 200 lm, CRI 90, IP54 Bathroom		
150 62 301 - Royal Blue	2W, 200 lm, IP54 Bathroom		

Job Name/Date:

Fixture Type Designation:

MINI SQUARE IP54

BATHROOM

SUGGESTED POWER SUPPLIES

350mA

Part Number	Description	Input/Output	# of Fixtures		
			1W	2W	4W
PPLT00138	0-10V Dimming to 10%	120-277VAC to 350mA, 4W, Class 2	2-3	1-1	N/A
PPLT00468	Phase Dim (120V only)	120VAC to 350mA, 14W, Class 2	4-13	2-6	1-3
PPLT00308-P	0-10V Dimming to 0.1%	120-277VAC to 350mA, 30W, Class 2	1-19	1-9	1-4
PPLT00309-P	0-10V Dimming to 0.1%	120-277VAC to 350mA, 50W, Class 2	1-19	1-9	1-4
PPLT00538-P	0-10V Dimming to 0.1%	120-277VAC to 350mA, 100W, Class 2	1-80	1-40	1-20

Suggested Lutron Compatible

Part Number	Option	Lutron SKU	Dim Range	Description	Input/Output	# of Fixtures		
						1W	2W	4W
PPLT00252	LTEA2W	LTEA	100%-1%	Hi-Lume™ 1% 2-Wire LED Driv. (120V forward phase only)	120VAC to 350mA, 7W, Class 2	3-6	2-3	1-1
PPLT00247	L3DAE / L3DA3W	L3DA	100%-1%	Hi-Lume™ 1% EcoSystem™ or 1% 3-Wire LED Driv.	120-277VAC to 350mA, 7W, Class 2	3-6	2-3	1-1
PPLT00516	L3DAE / L3DA3W	L3DA	100%-1%	Hi-Lume™ 1% EcoSystem™ or 1% 3-Wire LED Driv.	120-277VAC to 350mA, 13W, Class 2	6-13	3-6	2-3
PPLT00271	LTEA2W	LTEA	100%-1%	Hi-Lume™ 1% 2-Wire LED Driv. (120V forward phase only)	120VAC to 350mA, 13W, Class 2	6-13	3-6	2-3
PPLT00179	L3DAE / L3DA3W	L3DA	100%-1%	Hi-Lume™ 1% EcoSystem™ or 1% 3-Wire LED Driv.	120-277VAC to 350mA, 19W, Class 2	11-18	6-9	3-4
PPLT00220	LTEA2W	LTEA	100%-1%	Hi-Lume™ 1% 2-Wire LED Driv. (120V forward phase only)	120VAC to 350mA, 19W, Class 2	11-18	6-9	3-4

For other power supply options consult factory.

ACCESSORIES

Installation

750 01 000*Outer Casing**Job Name/Date:**Fixture Type Designation:*