

MINI SQUARE IP54

BATHROOM

Fix (not adjustable) 0° - 0°

□ 4.02" × 7.48"

Material : CALCYT® plaster

MINI SQUARE LED DIM 100 LM

REF N° 150 60 501 CRI 80 warm white 2200°K

REF N° 150 60 001 CRI 90 warm white 2700°K

REF N° 150 60 101 CRI 90 warm white 3000°K

REF N° 150 60 201 CRI 90 neutral white 4000°K

REF N° 150 60 301 royal blue

1W - excl. LED driver - current controlled 350mA - **E**
Ⓟ - serial wiring - 3 Step MacAdam
Requires remote LED driver - 350mA

MINI SQUARE LED DIM 200 LM

REF N° 150 62 501 CRI 80 warm white 2200°K

REF N° 150 62 001 CRI 90 warm white 2700°K

REF N° 150 62 101 CRI 90 warm white 3000°K

REF N° 150 62 201 CRI 90 neutral white 4000°K

REF N° 150 62 301 royal blue

2W - excl. LED driver - current controlled 350mA - **E**
Ⓟ - serial wiring - 3 Step MacAdam
Requires remote LED driver - 350mA

MINI SQUARE LED DIM 400 LM

REF N° 150 61 501 CRI 80 warm white 2200°K

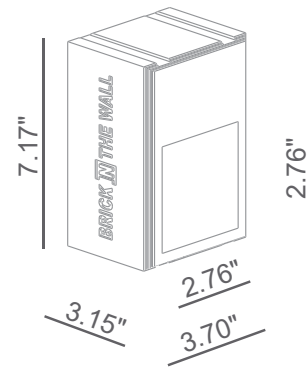
REF N° 150 61 001 CRI 90 warm white 2700°K

REF N° 150 61 101 CRI 90 warm white 3000°K

REF N° 150 61 201 CRI 90 neutral white 4000°K

REF N° 150 61 301 royal blue

4W - excl. LED driver - current controlled 350mA - **E**
Ⓟ - serial wiring - 3 Step MacAdam
Requires remote LED driver - 350mA



Ready for installation in solid walls
Optional plasterkit for installation into gypsum walls

PLASTERKIT MINI SQUARE
REF N° 750 01 000 For mounting into gypsum walls