

## MINI SQUARE IP54

OUTDOOR

Fix (not adjustable) 0° - 0°

□ 4.02" × 7.48"

Material : waterproof CALCYT+®

### MINI SQUARE LED DIM 100 LM

REF N° 150 60 505 CRI 80 warm white 2200°K

REF N° 150 60 005 CRI 90 warm white 2700°K

REF N° 150 60 105 CRI 90 warm white 3000°K

REF N° 150 60 205 CRI 90 neutral white 4000°K

REF N° 150 60 305 royal blue

1W - excl. LED driver - current

controlled 350mA - **E**

Ⓟ - serial wiring - 3 Step MacAdam

Requires remote LED driver - 350mA

### MINI SQUARE LED DIM 200 LM

REF N° 150 62 505 CRI 80 warm white 2200°K

REF N° 150 62 005 CRI 90 warm white 2700°K

REF N° 150 62 105 CRI 90 warm white 3000°K

REF N° 150 62 205 CRI 90 neutral white 4000°K

REF N° 150 62 305 royal blue

2W - excl. LED driver - current

controlled 350mA - **E**

Ⓟ - serial wiring - 3 Step MacAdam

Requires remote LED driver - 350mA

### MINI SQUARE LED DIM 400 LM

REF N° 150 61 505 CRI 80 warm white 2200°K

REF N° 150 61 005 CRI 90 warm white 2700°K

REF N° 150 61 105 CRI 90 warm white 3000°K

REF N° 150 61 205 CRI 90 neutral white 4000°K

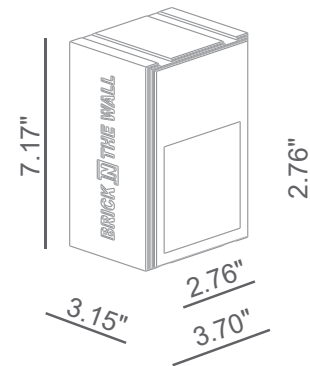
REF N° 150 61 305 royal blue

4W - excl. LED driver - current

controlled 350mA - **E**

Ⓟ - serial wiring - 3 Step MacAdam

Requires remote LED driver - 350mA



Ready for installation in solid walls  
Optional plasterkit for installation into gypsum walls

**PLASTERKIT MINI SQUARE**  
REF N° 750 01 000 For mounting into gypsum walls