

MOBY P
THE STRENGTH OF GLASS
THE BEAUTY OF CYAN

UNDERWATER PROJECTORS

designplanTM 

L&L

Luce & Light



MOBY P

A family of LED lighting fixtures intended for permanent immersion.
Recessed fixtures available in three sizes
and three wattages. Moby P offers the option
to play with the various shades of cyan,
in addition to solutions with RGBW and white light.



MOBY P
UNDERWATER PROJECTORS

^
MOBY P 1.1
4000K, 9W, 62°- 31°x64°
MOBY P 2.0
shades of cyan, 20W, 34°

Courtesy of / Municipality of Abano Terme,
Padua, Italy

MOBY P

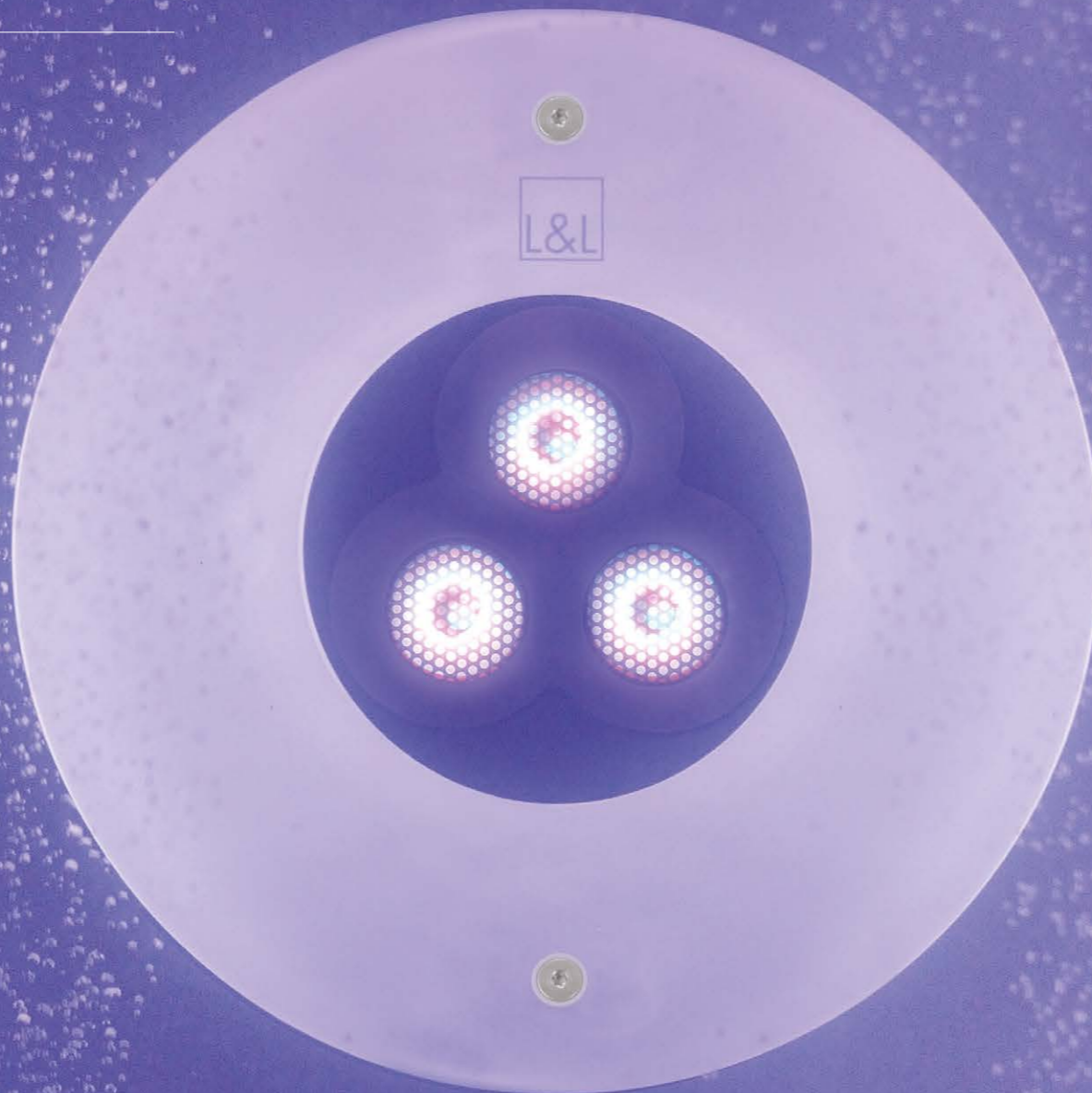
THE STRENGTH OF GLASS

GLASS COVER WITH
VITRIFIED SERIGRAPHY
INTEGRATES INTO THE POOL
LINING TO BECOME
INDISCERNIBLE

DESIGN

THE 0.63" GLASS
THICKNESS ENSURES
MAXIMUM RESISTANCE
TO IMPACTS

IK10



VERSATILITY

SUITABLE FOR
INSTALLATION
IN SEAWATER,
SWIMMING POOLS,
SPAS

**CHROMATIC
UNIFORMITY**

HIGH-TRANSMITTANCE GLASS
AND A MIXING CHAMBER
ENSURE THE LIGHT'S
CHROMATIC UNIFORMITY

MOBY P

MATERIALS



VERSION WITH TRIM IN ELECTROPOLISHED, PASSIVATED AISI 316L STAINLESS STEEL, MADE ENTIRELY ON A CNC LATHE: THE BEST CORROSION TREATMENT

AISI 316L STAINLESS STEEL BRACKET WITH GRADUATIONS TO ENSURE PRECISE POSITIONING OF THE LIGHT EMISSION



BUILT-IN PROTECTION SYSTEMS:
IPS INTELLIGENT PROTECTION SYSTEM



NTC TEMPERATURE CONTROL BUILT IN

TESTED IN SALT SPRAY (OVER 1500 HOURS)



IP68 SUITABLE FOR PERMANENT IMMERSION, NOT SUITABLE FOR USE OUT OF WATER



INSTALLATION IN SWIMMING POOLS AND FOUNTAINS AT GREAT DEPTHS: UP TO 32.8'

VERSION WITH COVER IN VITRIFIED, SERIGRAPHED GLASS, SUITABLE FOR INSTALLATION IN SEAWATER

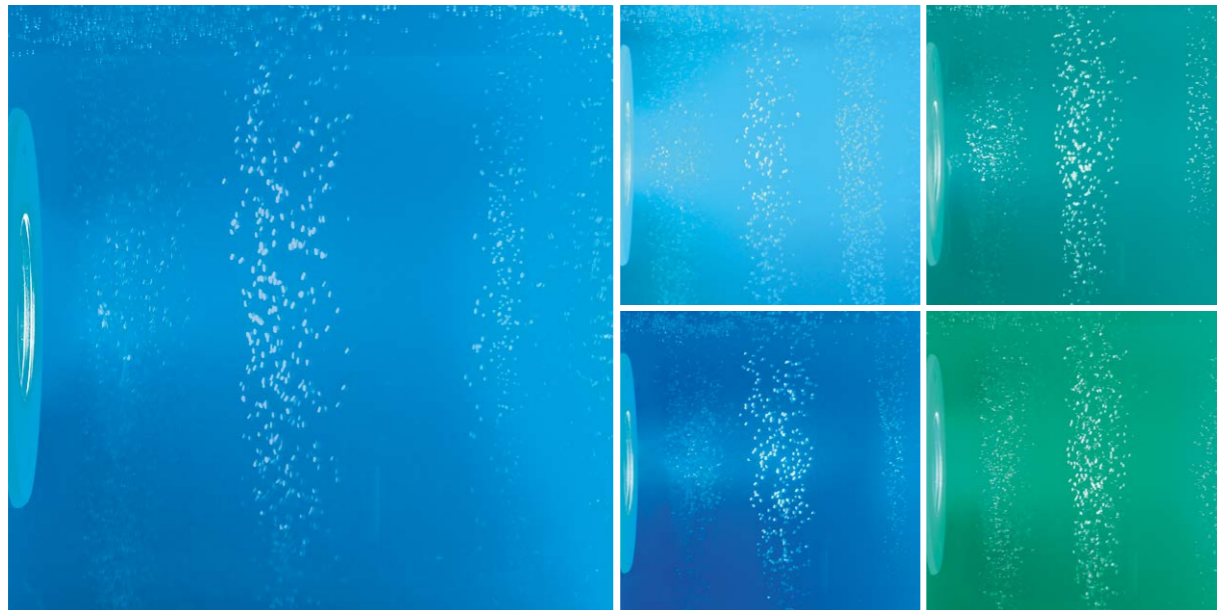
HIGH-TRANSMITTANCE, TEMPERED, TRANSPARENT EXTRA-CLEAR GLASS TO ENSURE CHROMATIC UNIFORMITY OF LIGHT

BODY IN THERMALLY CONDUCTIVE TECHNOPOLYMER FOR EFFICIENT HEAT DISSIPATION AND TO PROTECT THE FIXTURE FROM THE HIGHLY CORROSIVE SUBSTANCES FOUND IN WATER: CHLORINE (SWIMMING POOLS), SULPHUR (SPAS), AND SODIUM CHLORIDE AND OTHER SALTS (SEA)



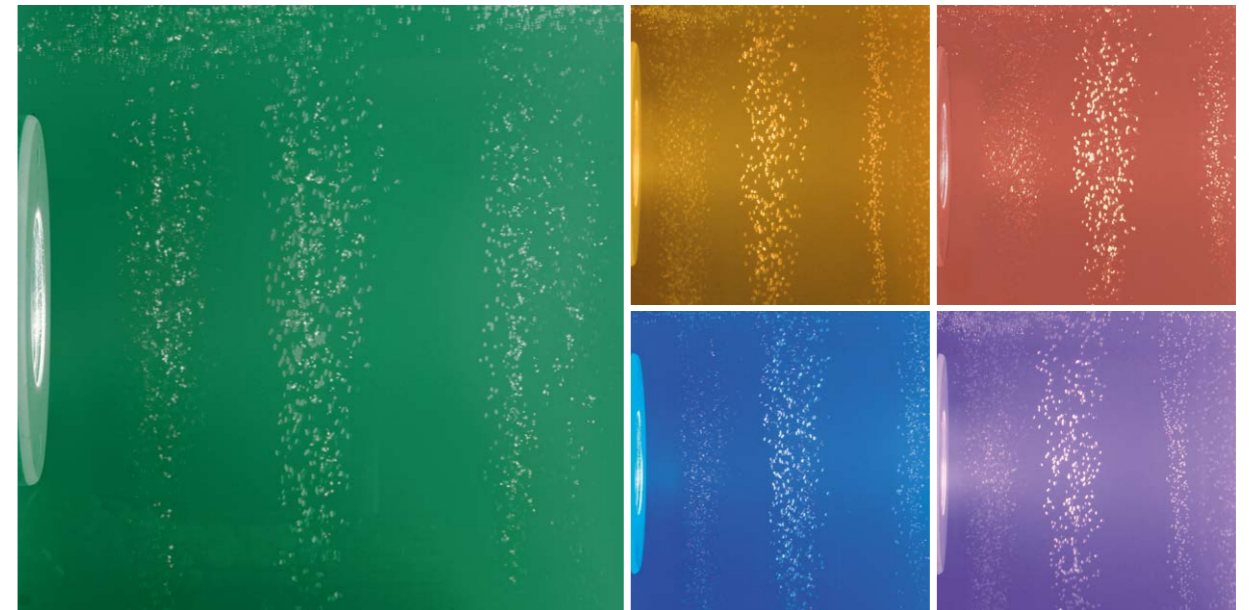
MOBY P

SHADES OF CYAN



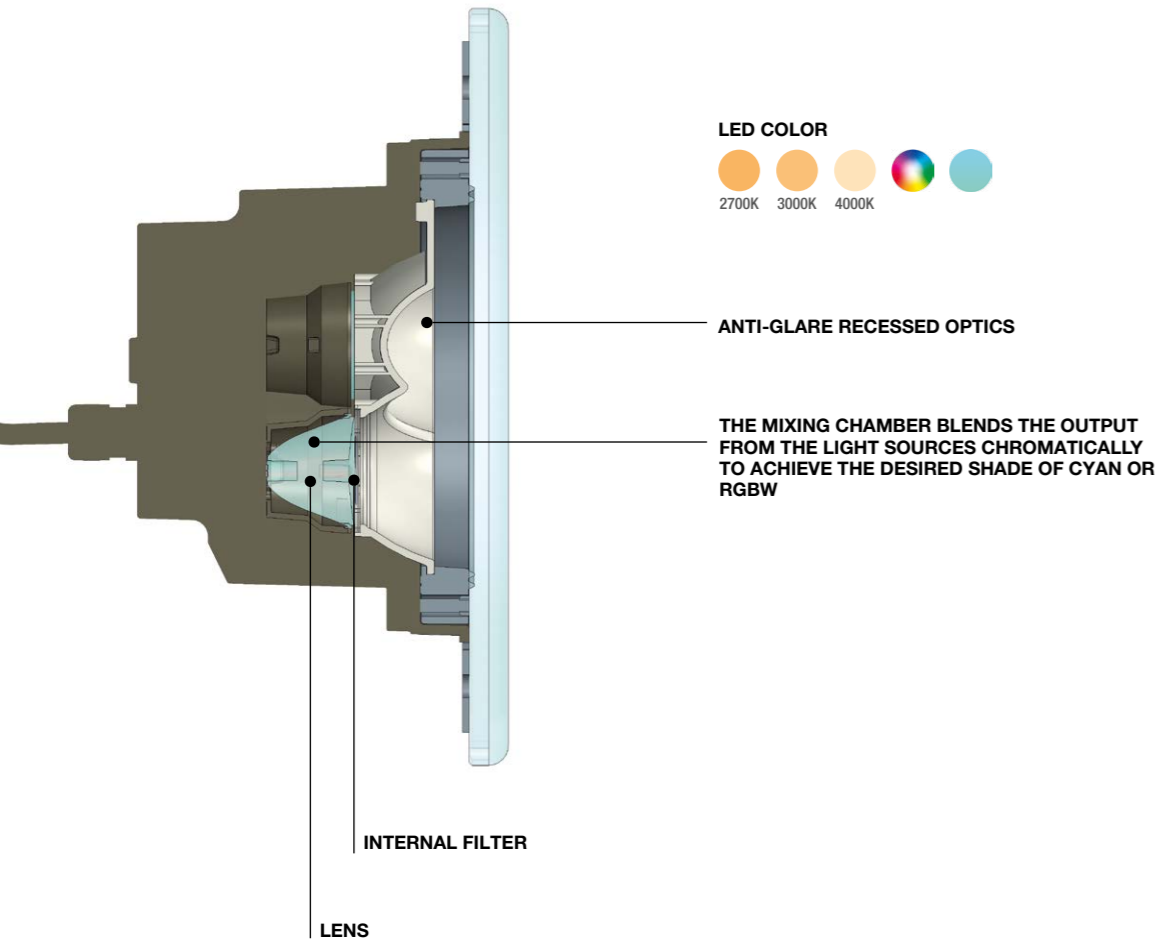
MOBY P

RGBW



MOBY P

OPTICS



MOBY P

UNDERWATER PROJECTORS



MOBY P 1.0
Ø4.13"
9W 24VDC
trim in AISI 316L
stainless steel



MOBY P 1.1
Ø4.13"
9W 24VDC
glass cover



MOBY P 2.0
Ø6.10"
20W 24VDC
trim in AISI 316L
stainless steel



MOBY P 2.1
Ø6.10"
20W 24VDC
glass cover



MOBY P 3.0
Ø7.60"
30W 24VDC
trim in AISI 316L
stainless steel



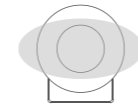
MOBY P 3.1
Ø7.60"
30W 24VDC
glass cover

MOBY P



MOBY P 1.1
3000K, 9W, 34°

MOBY P 1.0

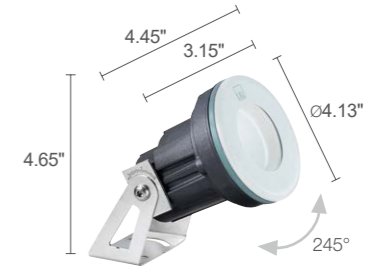


31°x64° optics



| | |
|-------------------------------|--|
| POWER | 9W 24VDC |
| MODEL NO. | MP1000 ■ ■ ■ I Micro-blasted stainless steel |
| LED COLOR | F - 2700K 5 - 3000K 9 - 4000K 7 - RGBW Y - shades of cyan |
| OPTICS | S - 22° M - 34° L - 62° W - 31°x64° |
| LUMEN OUTPUT AT SOURCE | 507 lm (3000K) RGBW 295 lm: (R) 47 lm, (G) 85 lm, (B) 24 lm (W) 139 lm (4000K) Cyan 260 lm |
| DELIVERED LUMEN OUTPUT | 359 lm (3000K, 34°) RGBW 208 lm: (R) 33 lm, (G) 61 lm, (B) 16 lm (W) 98 lm (4000K, 34°) Cyan 184 lm (34°) |
| NO. AND TYPE OF LED | 1 power LED group, 2-step MacAdam, L90 B10 >50,000h (Ta 25°C) RGBW: 1 RGBW power LED group, L90 B10 >50,000h (Ta 25°C) Cyan: 1 cyan power LED group, L90 B10 >50,000h (Ta 25°C) |

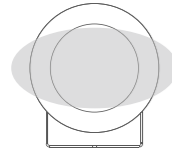
MOBY P 1.1



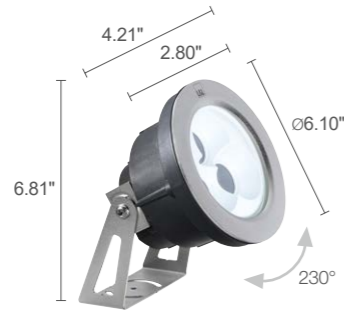
| | |
|-------------------------------|--|
| POWER | 9W 24VDC |
| MODEL NO. | MP1100 ■ ■ ■ V Glass |
| LED COLOR | F - 2700K 5 - 3000K 9 - 4000K 7 - RGBW Y - shades of cyan |
| OPTICS | S - 22° M - 34° L - 62° W - 31°x64° |
| LUMEN OUTPUT AT SOURCE | 507 lm (3000K) RGBW 295 lm: (R) 47 lm, (G) 85 lm, (B) 24 lm (W) 139 lm (4000K) Cyan 260 lm |
| DELIVERED LUMEN OUTPUT | 359 lm (3000K, 34°) RGBW 208 lm: (R) 33 lm, (G) 61 lm, (B) 16 lm (W) 98 lm (4000K, 34°) Cyan 184 lm (34°) |
| NO. AND TYPE OF LED | 1 power LED group, 2-step MacAdam, L90 B10 >50,000h (Ta 25°C) RGBW: 1 RGBW power LED group, L90 B10 >50,000h (Ta 25°C) Cyan: 1 cyan power LED group, L90 B10 >50,000h (Ta 25°C) |



MOBY P 2.0

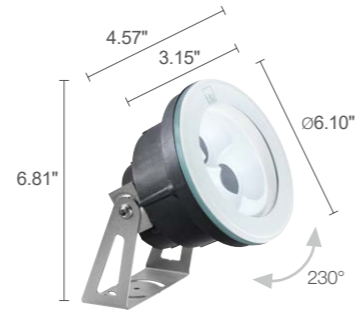


31°x64° optics



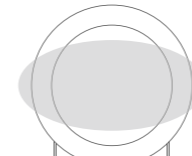
| | |
|-------------------------------|--|
| POWER | 20W 24VDC |
| CODE | MP2000 Micro-blasted stainless steel |
| LED COLOR | F - 2700K 5 - 3000K 9 - 4000K 7 - RGBW Y - shades of cyan |
| OPTICS | S - 22° M - 34° L - 62° W - 31°x64° |
| LUMEN OUTPUT AT SOURCE | 1522 lm (3000K) RGBW 884 lm: (R) 138 lm, (G) 259 lm, (B) 69 lm (W) 418 lm (4000K) Cyan 782 lm |
| DELIVERED LUMEN OUTPUT | 1078 lm (3000K, 34°) RGBW 626 lm: (R) 97 lm, (G) 184 lm, (B) 48 lm (W) 297 lm (4000K, 34°) Cyan 552 lm (34°) |
| NO. AND TYPE OF LED | 3 power LED groups, 2-step MacAdam, L90 B10 >50,000h (Ta 25°C) RGBW: 3 RGBW power LED groups, L90 B10 >50,000h (Ta 25°C) cyan: 3 cyan power LED groups, L90 B10 >50,000h (Ta 25°C) |

MOBY P 2.1

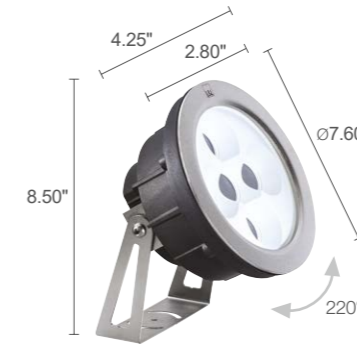


| | |
|-------------------------------|--|
| POWER | 20W 24VDC |
| CODE | MP2100 Glass |
| LED COLOR | F - 2700K 5 - 3000K 9 - 4000K 7 - RGBW Y - shades of cyan |
| OPTICS | S - 22° M - 34° L - 62° W - 31°x64° |
| LUMEN OUTPUT AT SOURCE | 1522 lm (3000K) RGBW 884 lm: (R) 138 lm, (G) 259 lm, (B) 69 lm (W) 418 lm (4000K) Cyan 782 lm |
| DELIVERED LUMEN OUTPUT | 1078 lm (3000K, 34°) RGBW: 626 lm, R: 97 lm G: 184 lm B: 48 lm W: 297 lm (4000K, 34°) cyan: 552 lm (34°) |
| NO. AND TYPE OF LED | 3 power LED groups, 2-step MacAdam, L90 B10 >50,000h (Ta 25°C) RGBW: 3 RGBW power LED groups, L90 B10 >50,000h (Ta 25°C) cyan: 3 cyan power LED groups, L90 B10 >50,000h (Ta 25°C) |

MOBY P 3.0

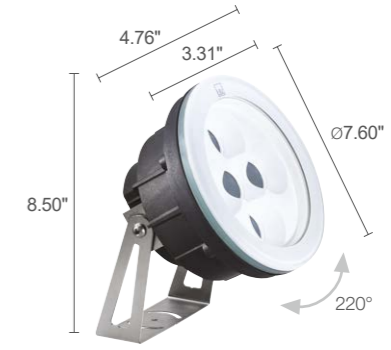


31°x64° optics



| | |
|-------------------------------|--|
| POWER | 30W 24VDC |
| CODE | MP3000 Micro-blasted stainless steel |
| LED COLOR | F - 2700K 5 - 3000K 9 - 4000K 7 - RGBW Y - shades of cyan |
| OPTICS | S - 22° M - 34° L - 62° W - 31°x64° |
| LUMEN OUTPUT AT SOURCE | 2537 lm (3000K) RGBW 1474 lm: (R) 231 lm, (G) 432 lm, (B) 118 lm (W) 693 lm (4000K) Cyan 1303 lm |
| DELIVERED LUMEN OUTPUT | 1876 lm (3000K, 34°) RGBW 1090 lm: (R) 171 lm, (G) 319 lm, (B) 87 lm (W) 513 lm (4000K, 34°) Cyan 961 lm (34°) |
| NO. AND TYPE OF LED | 5 power LED groups, 2-step MacAdam, L90 B10 >50,000h (Ta 25°C) RGBW: 5 RGBW power LED groups, L90 B10 >50,000h (Ta 25°C) cyan: 5 cyan power LED groups, L90 B10 >50,000h (Ta 25°C) |

MOBY P 3.1



| | |
|-------------------------------|--|
| POWER | 30W 24VDC |
| CODE | MP3100 Glass |
| LED COLOR | F - 2700K 5 - 3000K 9 - 4000K 7 - RGBW Y - shades of cyan |
| OPTICS | S - 22° M - 34° L - 62° W - 31°x64° |
| LUMEN OUTPUT AT SOURCE | 2537 lm (3000K) RGBW 1474 lm: (R) 231 lm, (G) 432 lm, (B) 118 lm (W) 693 lm (4000K) Cyan: 1303 lm |
| DELIVERED LUMEN OUTPUT | 1876 lm (3000K, 34°) RGBW 1090 lm: (R) 171 lm, (G) 319 lm, (B) 87 lm (W) 513 lm (4000K, 34°) Cyan: 961 lm (34°) |
| NO. AND TYPE OF LED | 5 power LED groups, 2-step MacAdam, L90 B10 >50,000h (Ta 25°C) RGBW: 5 RGBW power LED groups, L90 B10 >50,000h (Ta 25°C) cyan: 5 cyan power LED groups, L90 B10 >50,000h (Ta 25°C) |

MOBY P

ACCESSORIES

ANTI-GLARE ACCESSORIES



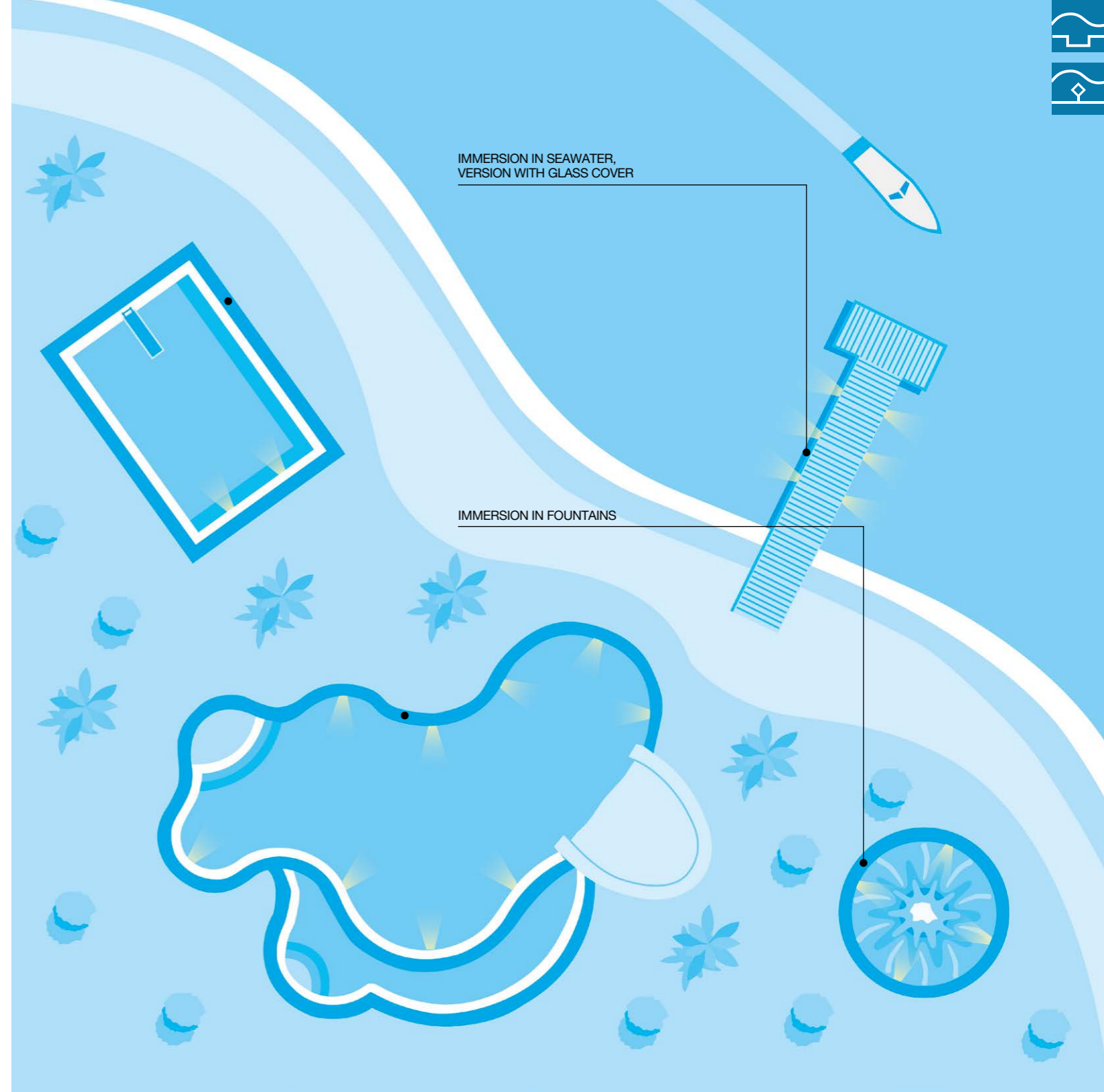
Honeycomb louvre

WH0401
Moby P 1.0 / 1.1)

WH0402
Moby P 2.0 / 2.1)

WH0403
Moby P 3.0 / 3.1)
order together with the lighting fixture

MOBY >
INSTALLATIONS

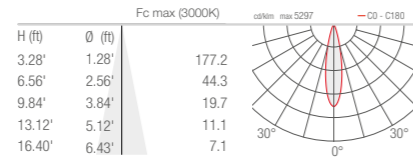


MOBY P

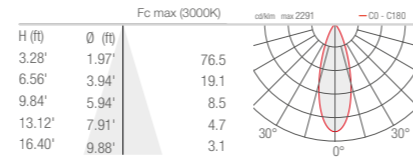
PHOTOMETRIC DATA

MOBY P 1.0 1.1

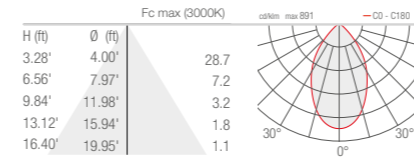
S - 22°



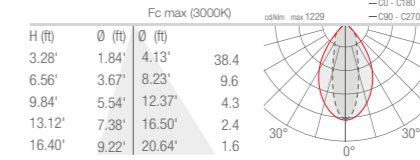
M - 34°



L - 62°

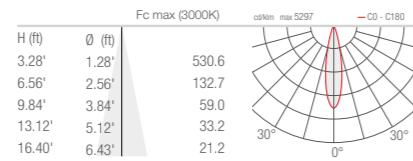


W - 31°x64°

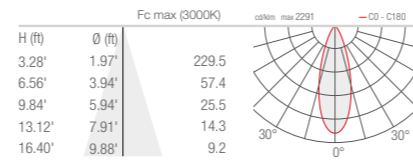


MOBY P 2.0 2.1

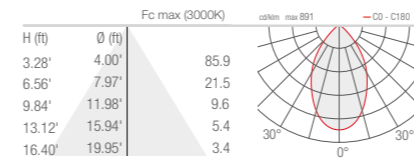
S - 22°



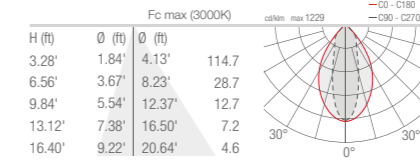
M - 34°



L - 62°

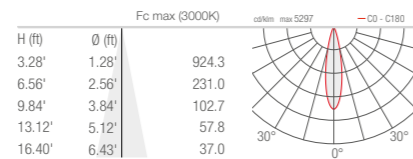


W - 31°x64°

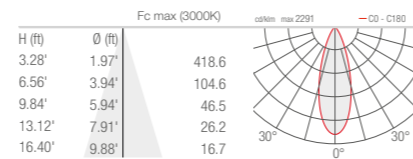


MOBY P 3.0 3.1

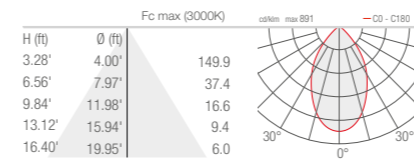
S - 22°



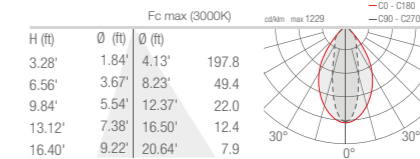
M - 34°



L - 62°



W - 31°x64°



CONCEPT AND ART DIRECTION
valentinicesarottiassociati

© L&L LUCE&LIGHT SRL, 2019
ALL RIGHTS RESERVED

REV01/2019



L&L Luce&Light
Via della Tecnica, 46
36031 Povolara di Dueville
Vicenza - Italy

T +39 0444 36 05 71
F +39 0444 59 43 04
E lucelight@lucelight.it
W www.lucelight.it