

MOUSE+ IP20

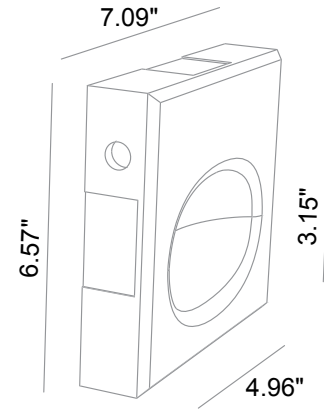
INDOOR

Fixed (not adjustable)

0° - 0° 6.77" × 7.28"

Material : CALCYT® plaster

The Mouse range comes in 2 flavors: the clear and sharp edges of the Mouse use our typical cutting edge design approach, where as the Mouse+ displays the gentle, curved edges of the typical soft edge design from Brick In The Wall. Both can be directly installed in solid walls or in gypsum wall with an optional plasterkit.



MOUSE+ LED DIM 100 LM

REF N° 147 60 500 CRI 80 warm white 2200°K

REF N° 147 60 000 CRI 90 warm white 2700°K

REF N° 147 60 100 CRI 90 warm white 3000°K

REF N° 147 60 200 CRI 90 neutral white 4000°K

REF N° 147 60 300 royal blue

1W - excl. LED driver - current controlled 350 mA - **CE** - serial wiring - 3 Step MacAdam Requires remote LED driver - 350 mA

MOUSE+ LED DIM 200 LM

REF N° 147 62 500 CRI 80 warm white 2200°K

REF N° 147 62 000 CRI 90 warm white 2700°K

REF N° 147 62 100 CRI 90 warm white 3000°K

REF N° 147 62 200 CRI 90 neutral white 4000°K

REF N° 147 62 300 royal blue

2W - excl. LED driver - current controlled 350 mA - **CE** - serial wiring - 3 Step MacAdam Requires remote LED driver - 350 mA

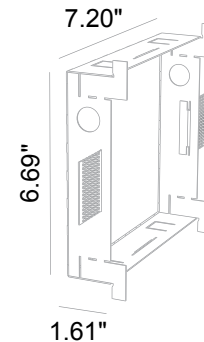


Ready for installation in solid walls
Optional plasterkit for installation into gypsum walls

PLASTERKIT MOUSE+

+ REF N° 747 01 000 For mounting into gypsum walls

Housing: perforated aluminium



designplan™ 

79 Trenton Avenue
Frenchtown, NJ 08825

Tel: (908) 996-7710
Fax: (908) 996-7042