



designplan™ 

WALL



MOVE IN
MOVE OUT

BRICK  THE WALL®

Move In and Move Out complement each other like salt and pepper. Thanks to its innovative design, the family of wall light fixtures disappears smoothly and seamlessly into the architecture and creates a non-disturbing, indirect light. The rounded, soft edge design of the Move In allows for flat integration into the wall, and is especially fit for integration in more traditional and classic interiors. The new edge design of the Move Out adds an additional shadow line that moves slightly out from the wall, adding a gentle, new touch to the design. The Move range is available with state of the art LED units, allowing you to create energy efficient, indirect lighting solutions.



MOVE IN IP20

INDOOR

Fix (not adjustable) 0° - 0°

☞ 10.43" × 17.32"

Material : CALCYT® plaster

MOVE IN MOVE OUT

MOVE IN LED WARMDIM 500LM

WARMDIM : DIMS FROM 3000°K TO 2000°K

REF N° 122 71 600 phase DIM

REF N° 122 61 600 DIM 0-10V

250mA - 6.0W - Remote driver
parallel wiring ☞0.2m☒☒ - ☒ - ☐
4 Step MacAdam - CRI 80

MOVE IN LED 1000LM

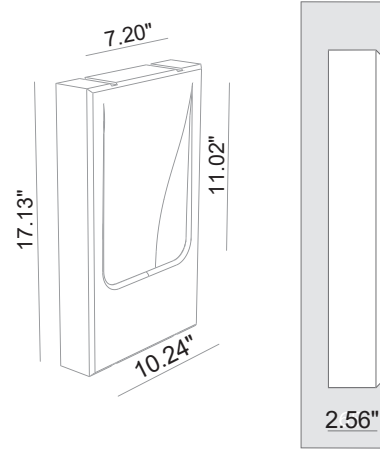
REF N°	2700°K	3000°K	4000°K
phase DIM	122 73 000	122 73 100	122 73 200
DIM 0-10V	122 63 000	122 63 100	122 63 200

250mA - 6.8W - Remote driver
1000 lm@185°F - ☒ - IP20
parallel wiring ☞0.2m☒☒ - 1562°F ☐
2 SDCM - 2 Step MacAdam - CRI 80

MOVE IN LED 600LM

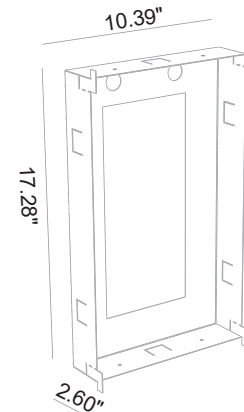
REF N°	2200°K	2700°K	3000°K
phase DIM	122 71 500	122 71 000	122 71 100
DIM 0-10V	122 61 500	122 61 000	122 61 100

250mA - 6.5W - Remote driver
600 lm@185°F - 700 lm@77°F - ☒ - IP20
parallel wiring - ☞0.2m☒☒ - 1562°F ☐ 2
SDCM - 2 Step MacAdam - CRI 90



Ready for installation in solid walls
Optional plasterkit for installation into gypsum walls

PLASTERKIT MOVE IN
REF N° 722 01 000 For mounting into gypsum walls
Housing: perforated aluminium





MOVE OUT IP20

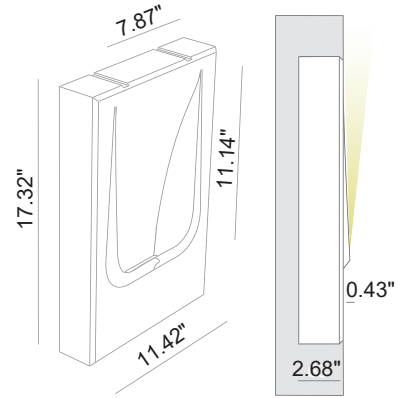
INDOOR

Fix (not adjustable) 0° - 0°

□ 11.61" × 17.52"

Material : CALCYT® plaster

MOVE IN MOVE OUT



MOVE OUT LED WARMDIM 500LM

WARMDIM : DIMS FROM 3000°K TO 2000°K

REF N° 121 71 600 phase DIM

REF N° 121 61 600 DIM 0-10V

250mA - 6.0W - Remote driver
parallel wiring - (0.2m) - - -
4 Step MacAdam - CRI 80

MOVE OUT LED 1000LM

REF N°	2700°K	3000°K	4000°K
phase DIM	121 73 000	121 73 100	121 73 200
DIM 0-10V	121 63 000	121 63 100	121 63 200

250mA - 6.8W - Remote driver
1000lm@185°F - - - IP20
parallel wiring - (0.2m) - 1562°F -
2 SDCM - 2 Step MacAdam - CRI 80

MOVE OUT LED 600LM

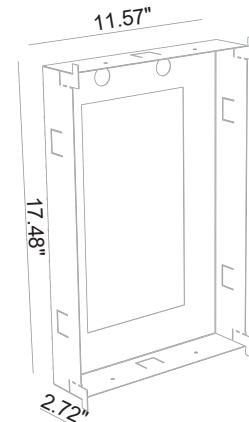
REF N°	2200°K	2700°K	3000°K
phase DIM	121 71 500	121 71 000	121 71 100
DIM 0-10V	121 61 500	121 61 000	121 61 100

250mA - 6.5W - Remote driver
600 lm@185°F - 700 lm@77°F - - - IP20
parallel wiring - (0.2m) - 1562°F -
SDCM - 2 Step MacAdam - CRI 90

Ready for installation in solid walls
Optional plasterkit for installation into gypsum walls

PLASTERKIT MOVE OUT

REF N° 721 01 000 For mounting into gypsum walls
Housing: perforated aluminium





E

MOVE IN MOVE OUT



