

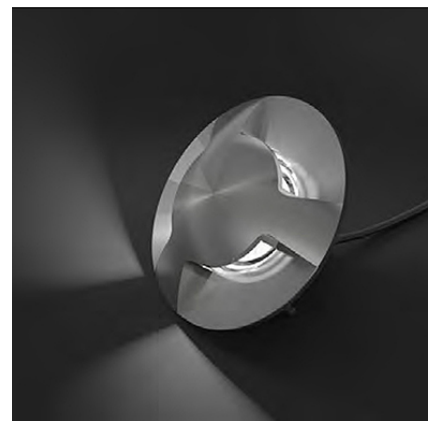


design: R&D

NAIL PRO

LAM32
IDEASBECOMINGLIGHT

Luminaire designed for recessed installation on walls, floors. Suitable for power LED sources for step-marker grazing light. Its body is made of Anticorodal aluminum submitted to anodizing treatment and AISI 316L stainless steel to guarantee durability over time and maximum resistance against atmospheric agents. The installation can be done under a pressure on a special casing in plastic material. The protection degree IP67 is ensured by a special waterproof cable gland system and silicone gaskets. The integrated LED driver allows its power at 24VDC. It is equipped with a 19.7" long neoprene cable for connection to the power supply line, through appropriate waterproof connection systems not included. Remote power supply not included.



designplan™ 

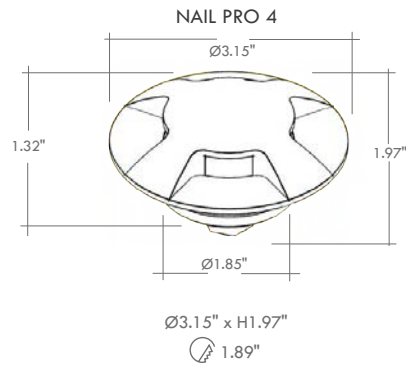
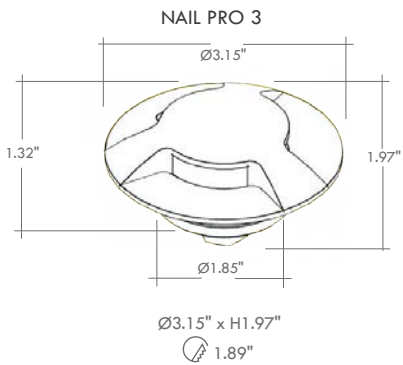
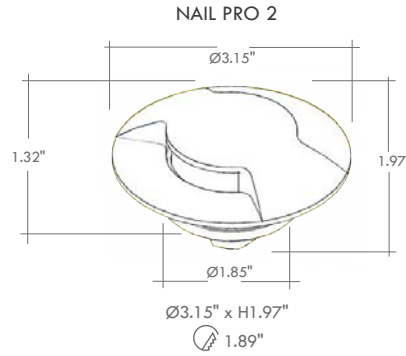
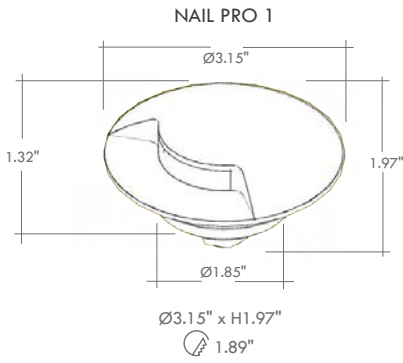
79 Trenton Avenue
Frenchtown, NJ 08825

www.designplan.com

Tel: (908) 996-7710
Fax: (908) 996-7042

NAIL PRO

TECHNICAL DRAWING



NAIL PRO 1

code	size	lamp	total lumens		
			2700K	3000K	4000K
LM07.104038.US	Ø3.15"	LED 4W	440	475	510

NAIL PRO 3

code	size	lamp	total lumens		
			2700K	3000K	4000K
LM07.104040.US	Ø3.15"	LED 4W	440	475	510

NAIL PRO 2

code	size	lamp	total lumens		
			2700K	3000K	4000K
LM07.104039.US	Ø3.15"	LED 4W	440	475	510

NAIL PRO 4

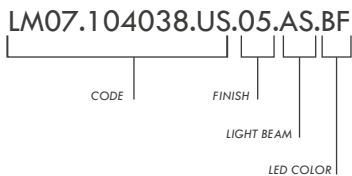
code	size	lamp	total lumens		
			2700K	3000K	4000K
LM07.104041.US	Ø3.15"	LED 4W	440	475	510

ACCESSORIES

code	
LM20.104145	Case IP20 Sizes Ø3.54" x H3.35" Hole Ø1.89"

EXAMPLE OF CODE COMPOSITION

24VDC Electronic driver and connection systems to be ordered as an accessory. Control Electronics: iSmart CV, iColor CV or iDimm CV, to be ordered as an accessory.



	Light beam
.AS	asymmetric
	LED Color
.BC	2700K
.BP	3000K
.BF	4000K

FINISH

color	code
	.05 / stainless

