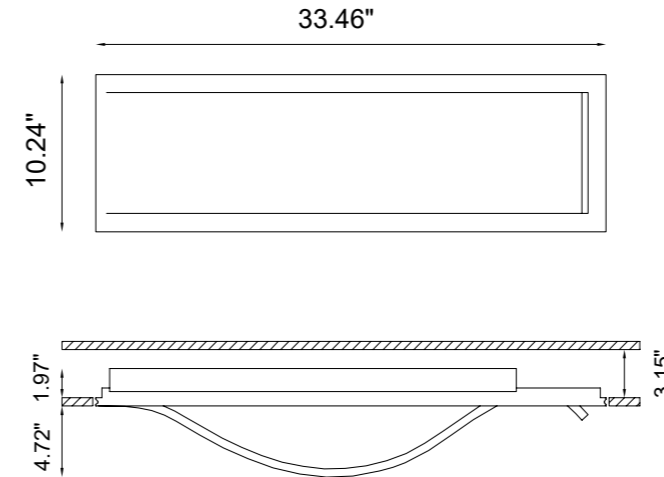


Design
Andrea Castrignano



NASTRO



A magical effect on the wall, an elegant bright band that decorates the environments it is installed in: Nastro, a totally disappearing semi recessed luminaire made of AirCoral® installable on plasterboard or brick walls and ceilings, composes harmonies of light, enhancing architectures with a unique and refined design. The satin glass allows the light to spread in a very delicate way. Designed for becoming an integral part of the wall or of the false ceiling and installable both horizontally or vertically, it creates a "moving" effect of shapes and volumes, reproducing an atmosphere of discreet fascination.



TECHNICAL FEATURES

Code	BU2979.AC.US
Type	Wall and ceiling half recessed 
Material	AC: AirCoral®
Absorption capacity*	414.6 ft ²
Weight	24.25 lbs
Mounting	Wall and ceiling mounting
IP rating	IP40
Control gear	Dimmable constant current driver
Cut out for plasterboard	33.86" x 10.63"
Lamp type	LED 350mA 
Lamp wattage	2 x 6.5W
Luminous efficacy	2 x 810 lm - 3000K
Light distribution	Wide beam 120°
Fitting	-
Light color	White 3000K White 2700K 4000K (on request)
CRI	>90
Note	Extra white satin glass fixed by screws. Vertical and horizontal mounting. Trailing-edge and leading-edge dimming (20 - 100%).

* The absorption capacity per ft³ calculated by the American organization TCNA (Tile Council of North America) is measured for an average room of 8.86' in height and therefore expressed in ft²

designplan™ 

79 Trenton Avenue
Frenchtown, NJ 08825

www.designplan.com

Tel: (908) 996-7710
Fax: (908) 996-7042