

NIMBUS



**RECESSED FITTING WITH REAR GLASS,
MAXIMUM INVISIBILITY.**

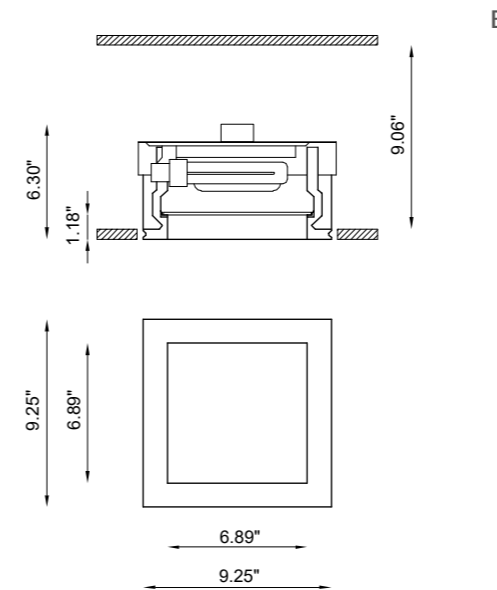
A recessed indoor system made of AirCoral® for plasterboard or brick ceilings designed to become an integral part of the ceiling, Nimbus is completely disappearing from the view once installed. Its satined glass diffuses light in the environment, enhancing the spaces, transforming them in a sight to rediscover every time, defining precise light paths with a distinctive style that speaks the language of design.



79 Trenton Avenue
Frenchtown, NJ 08825

www.designplan.com

Tel: (908) 996-7710
Fax: (908) 996-7042



TECHNICAL FEATURES

Code	BU6281.AC (fig. B)	BU6283.AC (fig. B)
Type	Downlight 90° 	Downlight 90°
Material	AC: AirCoral®	AC: AirCoral®
Absorption capacity*	73.41 ft²	73.41 ft²
Weight	6.61 lbs	6.61 lbs
Mounting	Ceiling recessed	Ceiling recessed
IP rating	IP40	IP40
Control gear	Constant current electronic driver	Dimmable constant current driver
Cut out for plasterboard	9.65" x 9.65"	9.65" x 9.65"
Lamp type	LED 1050mA 	LED 350mA
Lamp wattage	1 x 40W	2 x 6.5W
Luminous efficacy	4680 lm - 3000K	2 x 810 lm - 3000K
Light distribution	Wide beam 40°	Wide beam 120°
Fitting	-	-
Light colour	White 3000K White 2700K 4000K (on request)	White 3000K White 2700K 4000K (on request)
Light hole	6.89" x 6.89"	6.89" x 6.89"
Voltage connection	120-277VAC 50/60Hz	120-277VAC - 50/60Hz
CRI	>90	>90
Note	Extra white satin glass. Frosted glass recessed 1.18" into the ceiling.	Extra white satin glass. Frosted glass recessed 1.18" into the ceiling. Trailing-edge and leading-edge dimming (20 - 100%).

* The absorption capacity per m³ calculated by the American organization TCNA (Tile Council of North America) is measured for an average room of 2,7 m in height and therefore expressed in m²



Private villa - ph. G. Doppiu - Olbia