

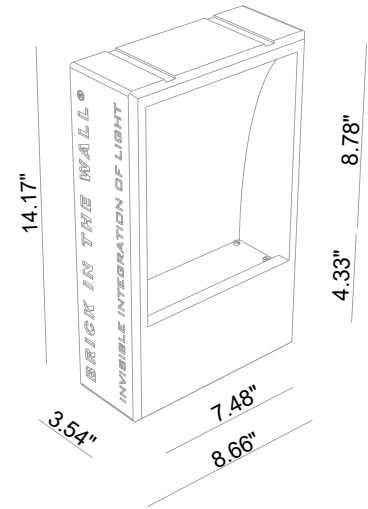
NORMALL IP20

INDOOR

Fix (not adjustable) 0° - 0°

8.86"×14.37"

Material : CALCYT® plaster



NORMALL LED WARMDIM 900LM	
WARMDIM : DIMS FROM 3000°K TO 2000°K	
REF N°	105 73 600 phase DIM
REF N°	105 63 600 DIM 0-10V
12.8W - 120VAC - incl. line voltage driver \diamond - parallel wiring ∇ \downarrow 0.2m \equiv \boxtimes - \textcircled{P} - 4 Step MacAdam - CRI 90	

NORMALL LED 800LM			
REF N°	2200°K	2700°K	3000°K
phase DIM (120VAC)	105 71 500	105 71 000	105 71 100
DIM 0-10V(120VAC)	105 61 500	105 61 000	105 61 100
Remote 350mA	105 29 500	105 29 000	105 29 100
9.3W - incl. line voltage or remote driver \diamond - parallel wiring ∇ \downarrow 0.2m \equiv \boxtimes - \textcircled{P} - 2 Step MacAdam - CRI 90 - R9=2.95"			

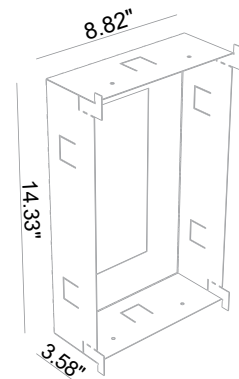
NORMALL LED 1000LM			
REF N°	2700°K	3000°K	4000°K
phase DIM	105 72 000	105 72 100	105 72 200
DIM 0-10V	105 62 000	105 62 100	105 62 200
11W - 120VAC - incl. line voltage driver \diamond - parallel wiring ∇ \downarrow 0.2m \equiv \boxtimes - \textcircled{P} - 2 Step MacAdam - CRI 90 - R9=2.95"			

NORMALL LED 2000LM			
REF N°	2700°K	3000°K	4000°K
phase DIM	105 74 000	105 74 100	105 74 200
DIM 0-10V	105 64 000	105 64 100	105 64 200
14.1W - incl. line voltage driver \diamond - parallel wiring ∇ \downarrow 0.2m \equiv \boxtimes - \textcircled{P} - 2 Step MacAdam - CRI 80			

Ready for installation in solid walls
Optional plasterkit for installation into gypsum walls

PLASTERKIT NORMALL

REF N° 705 01 000 For mounting into gypsum walls



designplan™ 

BRICK IN THE WALL®
invisible integration of light

