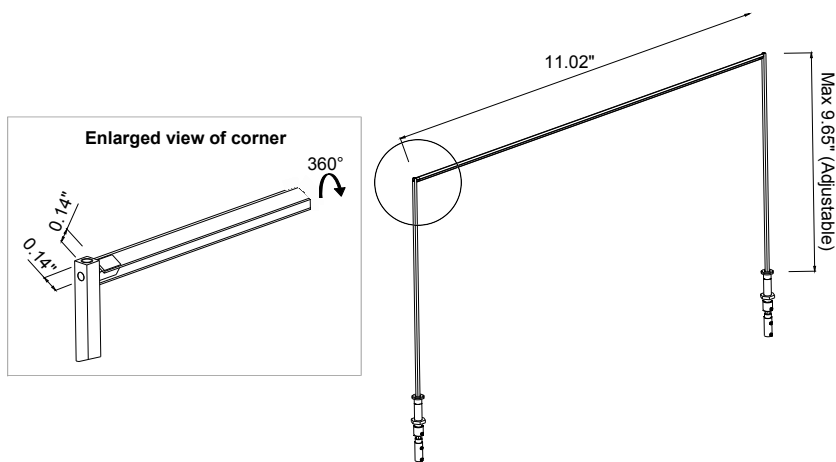


Piccola Luce 1

LED Showcase Light



■ Piccola Luce 1.0



UL LISTED CE IP20 0.55lbs

3W - 24vDC - 11.02" (280mm)

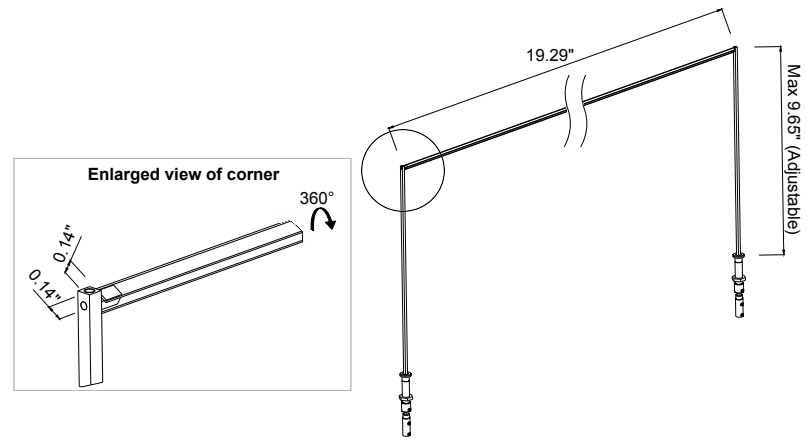
XPP1000 ■ DC-UL

■ LED Color

FF - 2700K
55 - 3000K
99 - 4000K
F0 - 2700K-5000K*

*Alternating LEDs.
Not separately controllable.

■ Piccola Luce 1.1



UL LISTED CE IP20 0.55lbs

5W - 24vDC - 19.29" (490mm)

XPP1100 ■ DC-UL

■ LED Color

FF - 2700K
55 - 3000K
99 - 4000K
F0 - 2700K-5000K*

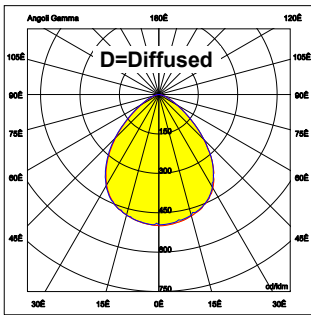
*Alternating LEDs.
Not separately controllable.



Technical data

Installation	Showcase LED light
Mounting	Posts
Material	Body in aluminum, posts in brass
No. and type of LED	Lumiled Luxeon 3014 LEDs, CRI 75-85
Nom. power consumption	Piccola Luce 1.0: 3W Piccola Luce 1.1: 5W
Power supply	Order separately
Power supply unit	Not included
Total delivered lumens	250 lm (3000K 5W)
Optics	Diffused
Finish	Chrome Plated
LED color	2700K, 3000K, 4000K, 2700K + 5000K
Ingress protection	IP20

Photometric data



Power supply units

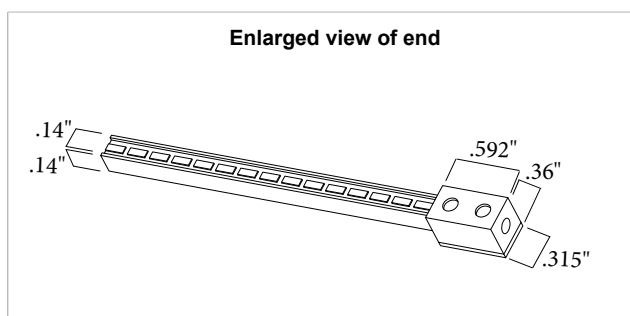
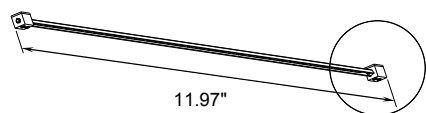
Consult cutsheet for power supply information.

Piccola Luce 2

LED Showcase Light



■ Piccola Luce 2.0



UL LISTED CE IP20 0.55lbs

3W - 24vDC - 11.97" (304mm)

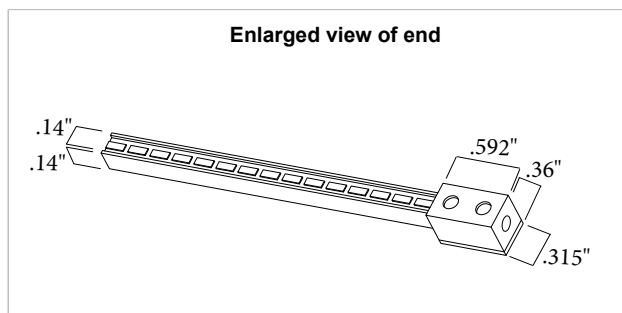
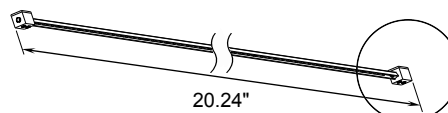
XPP2000 ■ DC-UL

■ LED Color

- FF - 2700K
- 55 - 3000K
- 99 - 4000K
- F0 - 2700K-5000K*

*Alternating LEDs.
Not separately controllable.

■ Piccola Luce 2.1



UL LISTED CE IP20 0.55lbs

5W - 24vDC - 20.24" (514mm)

XPP2100 ■ DC-UL

■ LED Color

- FF - 2700K
- 55 - 3000K
- 99 - 4000K
- F0 - 2700K-5000K*

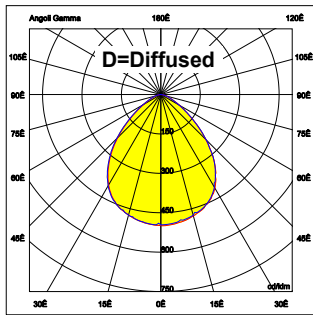
*Alternating LEDs.
Not separately controllable.



■ Technical data

Installation	Showcase LED light
Mounting	Flush glass mount
Material	Body in aluminum
No. and type of LED	Lumiled Luxeon 3014 LEDs, CRI 75-85
Nom. power consumption	Piccola Luce 2.0: 3W Piccola Luce 2.1: 5W
Power supply	Order separately
Power supply unit	Not included
Total delivered lumens	250 lm (3000K 5W)
Optics	Diffused
Finish	Chrome Plated
LED color	2700K, 3000K, 4000K, 2700K+5000K
Ingress protection	IP20

■ Photometric data



■ Power supply units

Consult cutsheet for power supply information.