



INSTRUCTIONS PERTAINING TO RISK OF FIRE OR INJURY TO PERSONS. READ ALL INSTRUCTIONS. IMPORTANT SAFETY INSTRUCTIONS. SAVE THESE INSTRUCTIONS.

DANGER - RISK OF SHOCK - DISCONNECT POWER BEFORE INSTALLATION! Please read all instructions before installation.

- Keep these instructions for future reference.
- Must be installed by a qualified electrician in accordance with national and local standards. Designplan is not responsible for fixtures installed without regard to these standards.
- Unauthorized alterations or tampering of product voids warranty.
- The main power connection must be in accordance with local electrical codes.
- Suitable for OUTDOOR applications.



Electrical Connections:

- LED lights must be **connected in parallel** respecting polarities.
- **CHOOSE POWER SUPPLY ACCORDINGLY.** Please consider the voltage through which fixtures are fed as well as the max power consumption.
- **Connect power only if all the fixtures are connected.**
- The power supplies **MUST** be installed in aerated rooms, far from heat sources. Overworking or lack of air circulation will not permit natural dissipation.
- Use only Class 2 type electronic power supply.
- Never use switches on secondary circuit.

ATTENTION: It is the contractor's responsibility to caulk around the edges between the fixture and the mounting surface, to satisfy wet label requirements.

Maintenance

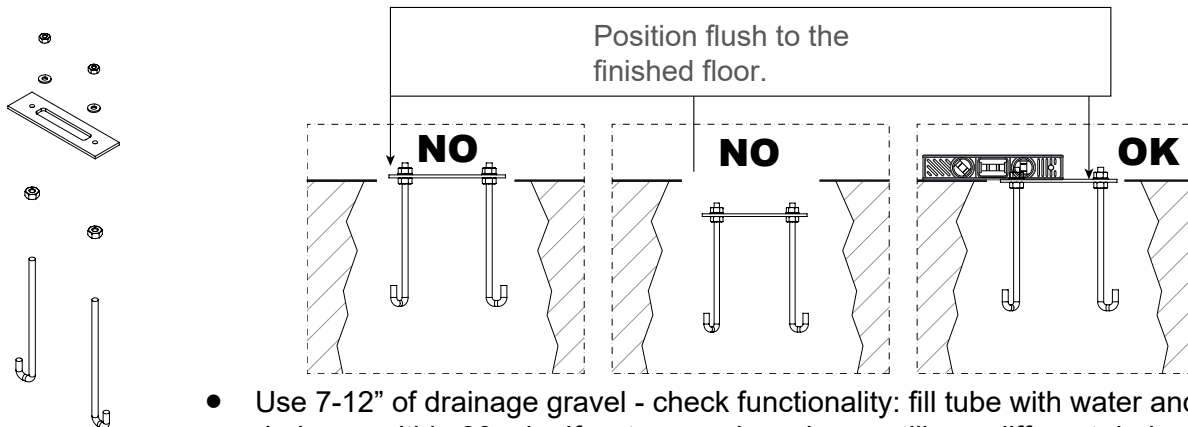
Scheduled maintenance must be carried out once a year on all lighting devices, regardless of appliance class and type of use. It must include the following operations:

- Periodically clean fixtures to remove dirt from gratings and screw heads.
- Check tightness of screws on various parts of the device.
- Check that all cable glands and cables are intact and tight. Check that the glass or plastic lens is intact, and replace it if broken or damaged.
- The internal components such as the ballast, driver, washers and screws must not show clear signs of oxidation or rust. Clear traces of rust and oxidation will indicate the presence of water inside the device.
- In the case of damage, the components must be replaced by original components or spare parts.

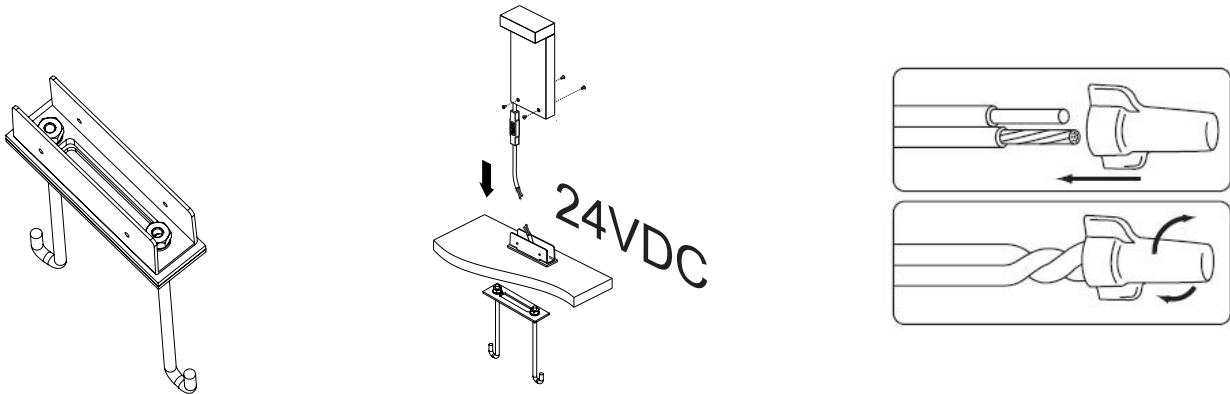
PLIN 2.0, 2.1, 2.2

Accessory Installation (AM-00012)

Note: This is used in common applications with standard AM-00012 base.



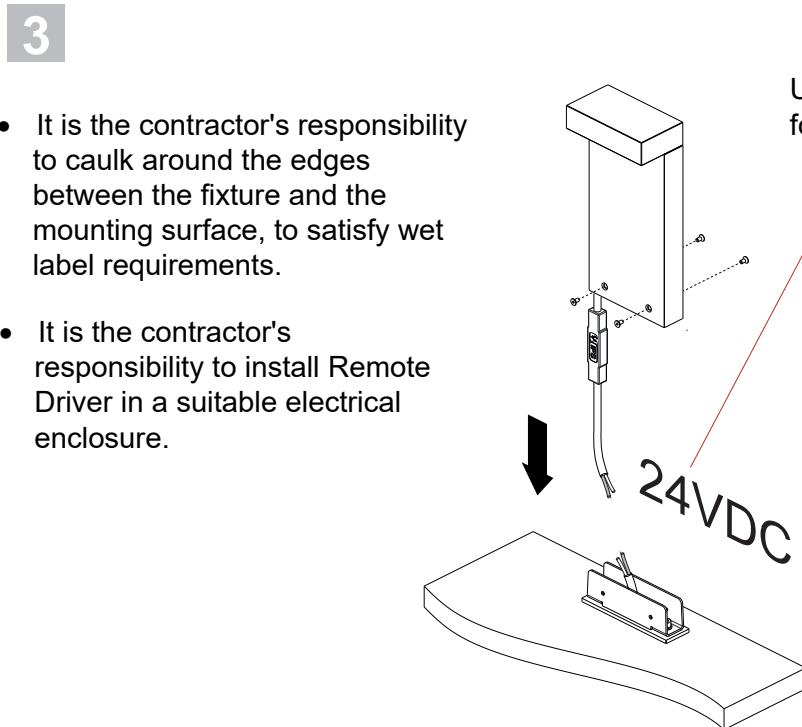
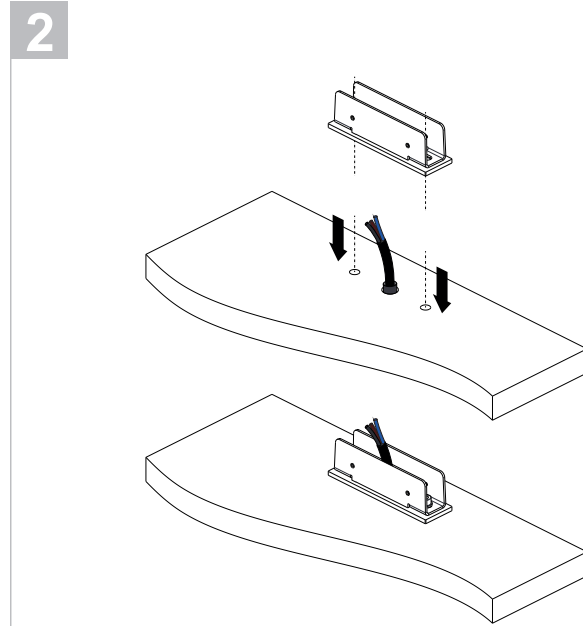
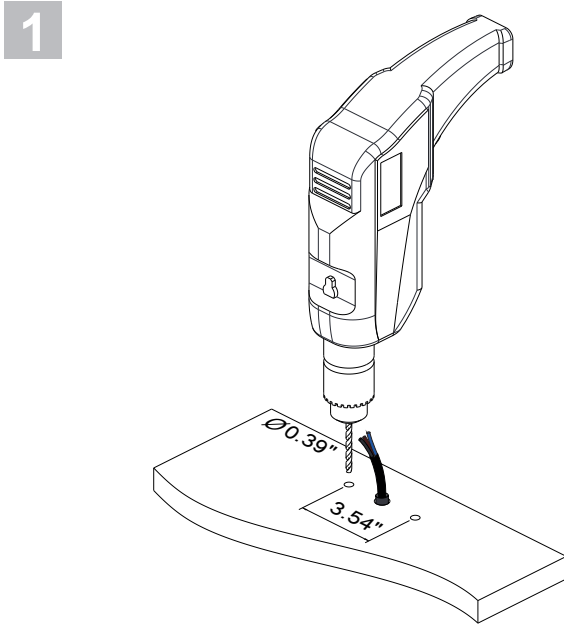
- Use 7-12" of drainage gravel - check functionality: fill tube with water and verify full drainage within 30 min. If water remains, please utilize a different drainage system that functions properly. Contractor to seal the conduit with "Great Stuff" aerosol seal.
- Use proper watertight-conduit for incoming power feed.
- Close all other conduit holes to satisfy wet label requirement.



- Install rods into plate and insert hex nuts from the bottom and hex nuts and washers on the top to secure rods to plate.
- Note that rods should be sitting approximately 1/2" above plate before the fixture plate is to be screwed onto there.
- Insert rod plate assembly so that it is flush with the ground level when concrete is poured, ensuring that the washers and hex nuts on top of the plate are above grade level.
- After concrete is poured and rod plate assembly is embedded in the ground, remove the washers and hex nuts on the top of the rod plate assembly.
- Place the Plin bracket on top.
- Make proper wiring connections.
- Screw in the hex nuts and washers back onto the rods.
- Install Plin fixture to assembly, ensuring that proper screws are in place.

Fixture Installation

Note: This is for when anchor bolts are not required.



Use gel-filled waterproof wire-nuts for wire connections.

