

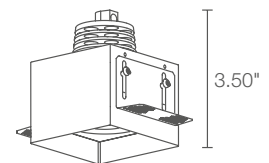
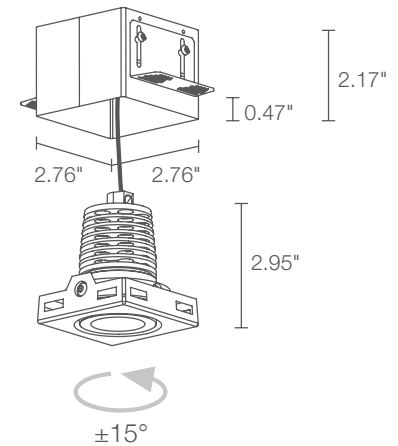
QUAD MAXI 2.1

Quad Maxi is a part of the Quad family of recessed downlights for indoor use. One of its unique features are recessed optics for greater visual comfort. It is available with adjustable optics, white light and 1, 2, and 3 lamp linear configuration. Excellent for general lighting in commercial and architectural applications.



Cutout Dimensions for ceiling/wall installations = 2.76" x 2.76"

Fixture Dimensions



TECHNICAL DATA

Wattage / Input	8W (500mA)
Power Supply	Remote, not included. See page 2.
Construction	Body: Anodized Aluminum Alloy EN AW 6082 Trim: Steel Cable Length: 0.98'
CCT	2700K, 3000K, 4000K
CRI	>80
Delivered Lumens	425 lm (3000K, 29°)
Efficacy	53.1 lm/W
Optics	20°, 29°, 54° (tiltable ±15°)
Finishes	White, Custom RAL (see below)
Fixture Dimensions	2.76" l x 2.76" w x 3.50" h
Fixture Weight	0.66 lbs
LED Source	1 Multichip Power LED
Lumen Maintenance	L90, B10 >50,000hrs (Ta 25°C)
Color Consistency	2-Step MacAdam
Operating Temp.	32°F to +113°F
IP Rating	IP40, IP43 Installed

OUTER CASING REQUIRED

ORDERING INFORMATION

Example: MQ21105MB. Power Supplies / Accessories ordered separately.

MQ2110			
Model No.	CCT	Optics	Finish
MQ2110	F - 2700K 5 - 3000K 9 - 4000K	S - 20° tiltable ±15° M - 29° tiltable ±15° L - 54° tiltable ±15°	B - White C - Custom RAL (Consult factory for "C")

Job Name/Date:

Fixture Type Designation:

SUGGESTED POWER SUPPLIES

500mA

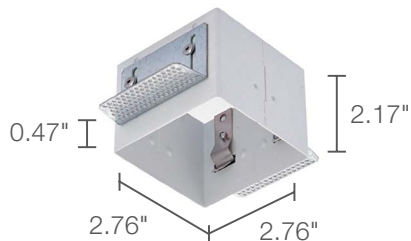
Part Number	Description	Input/Output	# of Fixtures
PPLT00187	0-10V Dimming to 10%	120-277VAC to 500mA, 10W, Class 2	1-1
PPLT00497	Phase Dim (120V only)	120VAC to 500mA, 12W, Class 2	1-1
PPLT00465-P	0-10V Dimming to 0.1%	120-277VAC to 500mA, 20W, Class 2	1-2
PPLT00467-P	0-10V Dimming to 1.0%	120-277VAC to 500mA, 50W, Class 2	1-4
PPLT00538-P	0-10V Dimming to 0.1%	120-277VAC to 500mA, 100W, Class 2	1-12

Suggested Lutron Compatible

Part Number	Option	Lutron SKU	Dim Range	Description	Input/Output	# of Fixtures
PPLT00259	L3DAE / L3DA3W	L3DA	100%-1%	Hi-Lume™ 1% EcoSystem™ or 1% 3-Wire LED Driver	120-277VAC to 500mA , 10W, Class 2	1-1
PPLT00249	LTEA2W	LTEA	100%-1%	Hi-Lume™ 1% 2-Wire LED Driver (120V forward phase only)	120VAC to 500mA, 10W, Class 2	1-1
PPLT00195	L3DAE / L3DA3W	L3DA	100%-1%	Hi-Lume™ 1% EcoSystem™ or 1% 3-Wire LED Driver	120-277VAC to 500mA , 19W, Class 2	2-2
PPLT00180	L3DAE / L3DA3W	L3DA	100%-1%	Hi-Lume™ 1% EcoSystem™ or 1% 3-Wire LED Driver	120-277VAC to 500mA , 27W, Class 2	3-3
PPLT00250	LTEA2W	LTEA	100%-1%	Hi-Lume™ 1% 2-Wire LED Driver (120V forward phase only)	120VAC to 500mA, 27W, Class 2	3-3

For other power supply options consult factory.

ACCESSORIES - Installation



WC2201
Outer Casing (REQUIRED)
For plasterboard

Job Name/Date:

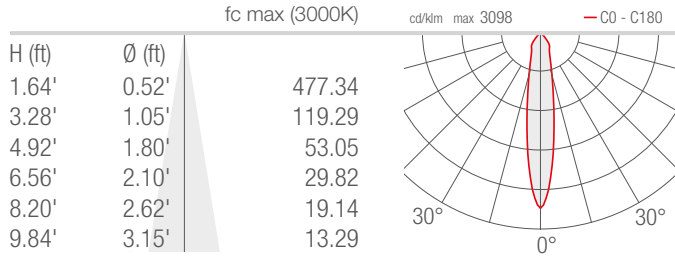
Fixture Type Designation:

QUAD MAXI 2.1

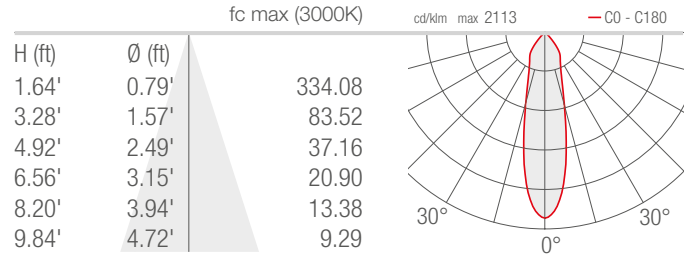
PHOTOMETRIC DATA

Note all Photometry is 3000K

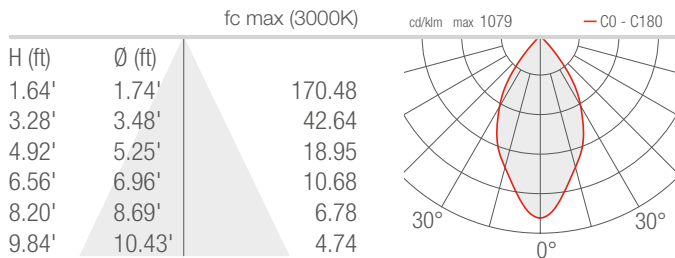
S - 20°



M - 29°



L - 54°



Job Name/Date:

Fixture Type Designation: