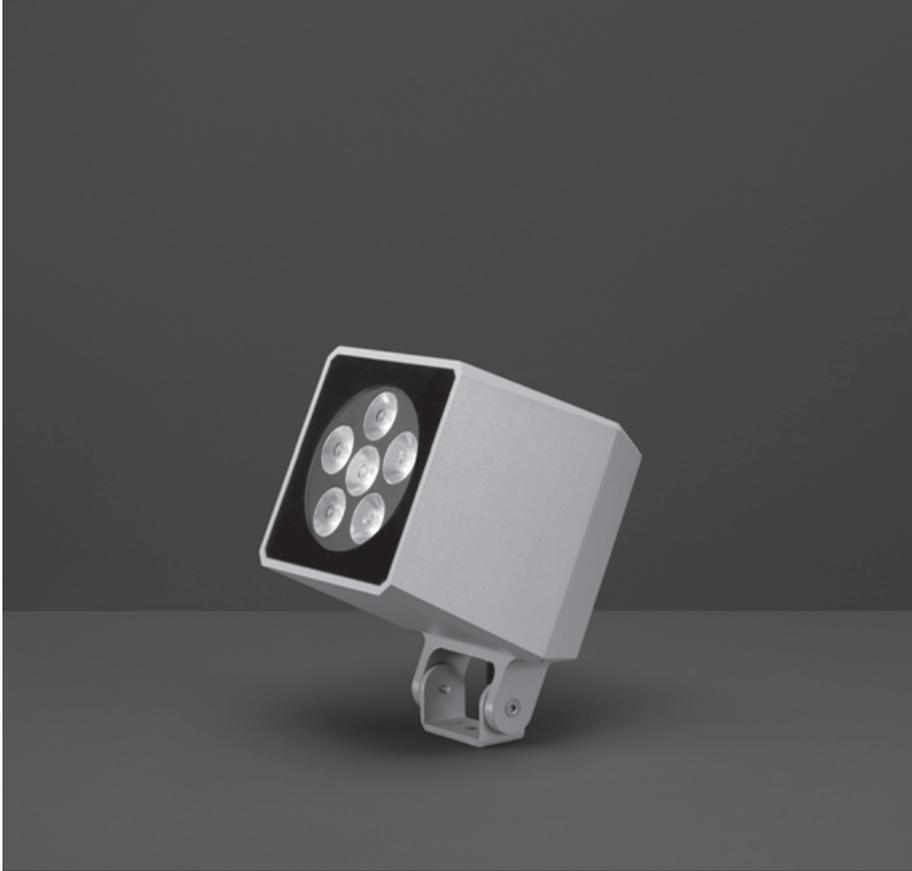


Technical features

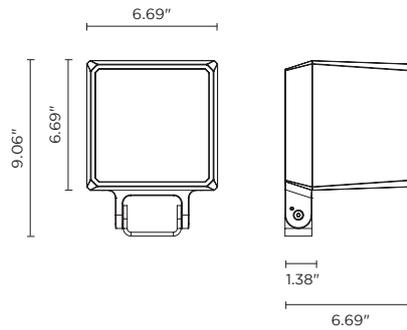


101607P

QUBO MAXI HP

Designed by
NAVA + AROSIO

Floodlight for outdoor installation on a façade/wall, with U shape fixing bracket allowing vertical adjustment of +90° / -40°. Phospho-chromatized and polyester powder coated die-cast copper-free aluminum base and head, tempered safety glass, molded silicone gaskets, with screws in stainless steel. Built-in LED driver, with 6 x CREE "XHP35" LED. IP66 rating.



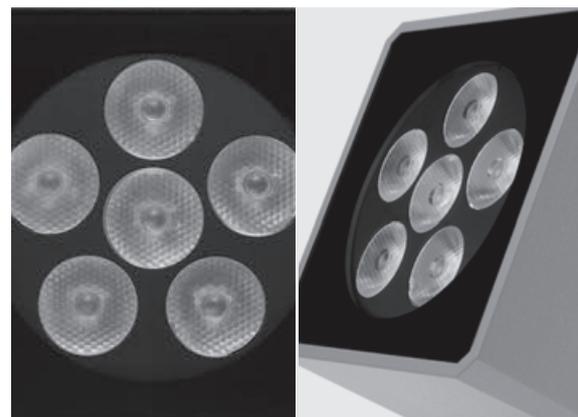
Technical data

Wattage	38 WATT
IP Rating	IP66
IK Rating	IK10
Material	High corrosion resistance die-cast copper-free aluminum body
Coating	Polyester powder coating with phosphocromating pre-finish
Light source	6 x CREE "XHP35" LED
Screws	Stainless steel
Transformer	Electrical power supply 120VAC 50/60Hz built-in
Gasket	Silicone rubber
Glass	Tempered
Power cable	3.28' power cable included
Gross weight	9.92 lbs

light source	light beam options	lumen output (lm)	lumin. efficacy (lm/w)
3000°K warm-white			
high-power led	4°	4,300	113.15
high-power led	10°	4,260	112.10
high-power led	28°	4,210	110.79
4000°K neutral-white			
high-power led	4°	4,400	115.79
high-power led	10°	4,360	114.74
high-power led	28°	4,310	113.42

Finish color options:

-  Textured Grey RAL 9006
-  Anthracite Grey RAL 7016
-  Matte Black (on request)



OTHER VIEW

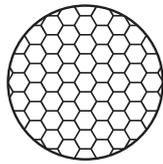


OPTIONAL

AC044
SPIKE



AC074
HONEYCOMB LOUVER



AC078
ANTI-GLARE VISOR



AC038
TREE STRAP



OPTIONAL

LUMINAIRE SUITABLE
FOR POLE MOUNTING
IN SINGLE OR MULTIPLE
COMBINATIONS

