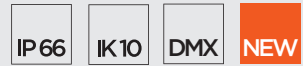


Technical features



Technical data

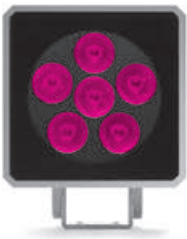
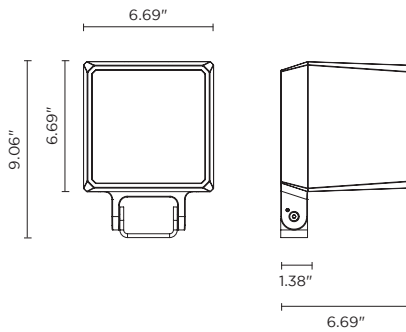
| | |
|--------------|--|
| Wattage | 28 WATT |
| IP Rating | IP66 |
| IK Rating | IK10 |
| Material | High corrosion resistance die-cast copper-free aluminum body |
| Coating | Polyester powder coating with phosphochromating pre-finish |
| Light source | 6 x CREE "XML" COLOR RGBW LED |
| Screws | Stainless steel |
| DMX | DMX interface integrated |
| Transformer | Remote electrical power supply 50/60Hz |
| Gasket | Silicone rubber |
| Glass | Tempered |
| Power cable | 3.28' power cable included |
| DMX cable | DMX in & DMX out cables included |
| Gross weight | 9.92 lbs |




101607RGBWP

QUBO MAXI DMX RGBW

Designed by
NAVA + AROSIO

Floodlight for outdoor installation on a façade/wall, with U shape fixing bracket allowing vertical adjustment of +90° / -40°. Phospho-chromatized and polyester powder coated die-cast copper-free aluminum base and head, tempered safety glass, molded silicone gaskets, with screws in stainless steel. Remote LED driver, DMX driver integrated; with 6 x CREE "XML" RGBW LED. IP66 rating.



| light source | light beam options | lumen output (lm) | lumin. efficacy (lm/w) |
|----------------|---|-------------------|------------------------|
| RGBW | | | |
| high-power led |  12° | 1,000 | 35.71 |
| high-power led |  25° | 992 | 35.43 |
| high-power led |  35° | 981 | 35.04 |

Finish color options:



AC044
SPIKE



AC078
ANTI-GLARE VISOR



AC074
HONEYCOMB LOUVER



AC038
TREE STRAP



DMX ACCESSORIES CONTROLLERS, SPLITTERS, ETC...

To be defined together with puk technical department, according to project specifications and after providing installation details.