

QUBO MEDIUM RGBW

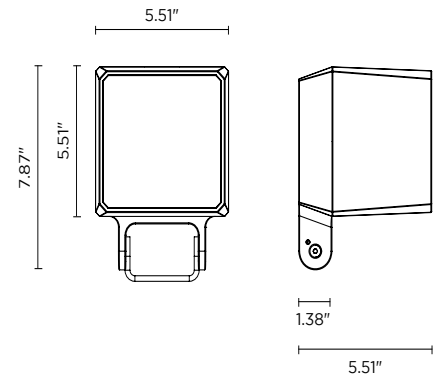
The Qubo Medium RGBW is an outdoor LED floodlight suitable for installation on a façade/wall, with U shape fixing bracket allowing vertical adjustment of +90° / -40°. It has a DMX interface and comes in 3 standard finishes and 3 optics options.



TECHNICAL DATA

Wattage / Input	14W (24VDC)
Power Supply	Remote with DMX driver integrated See page 2 for remote power supplies
Construction	Body: Die-Cast Copper-Free Aluminum Screws: Stainless Steel Lens: Tempered, Safety Glass Cable Length: 3.28" included
CCT	RGBW - DMX Control Built Into Fixture
CRI	>80
Lumen Output	468 lm (25°)
Efficacy	33.4 lm/W (25°)
Optics	3 Standard (see below)
Finishes	3 Standard, Custom RAL (see below)
Fixture Dimensions	5.51" l x 5.51" w x 7.87" h
Fixture Weight	6.83 lbs
LED Source	3 x CREE "XML" COLOR RGBW LED
IP Rating	IP66
Impact Rating	IK10

Fixture Dimensions



ORDERING INFORMATION

Example: 101606RGBWP-12-TG. Power Supplies / Accessories ordered separately.

101606RGBWP	-		-	
Model No.	Optics	Finish		
101606RGBWP	12 - 12° 25 - 25° 35 - 35°	TG - Textured Grey (RAL 9006) AG - Anthracite Grey (RAL 7016) MB - Matte Black (on request)		

Job Name/Date:

Fixture Type Designation:

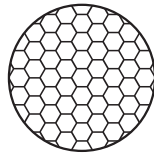
ACCESSORIES

Installation



AC044
Ground Spike

Anti-Glare



AC073
Honeycomb Louvrer



AC038
Tree Strap
for Ring Series



AC077
Anti-Glare Visor

SUGGESTED POWER SUPPLIES

24VDC

Part Number	Description	Input/Output	# of Fixtures
PPLT00155	Non-Dim	120VAC to 24VDC, 30W, Class 2	1-1
PPLT00157	Non-Dim	120VAC to 24VDC, 60W, Class 2	1-3
PPLT00599	ELV/TRIAC & 0-10V Dimming (100-0%)	120-277VAC to 24VDC, 96W, Class 2	1-5
PPLT00158	Non-Dim	120VAC to 24VDC, 100W, Class 2	1-5
PPLT00543	0-10V Dimming to 15% (-40°C / -40°F cold weather start)	120-277VAC to 24VDC, 100W, Class 2	1-5

For other power supply options consult factory.

PHOTOMETRIC DATA

Coming Soon

Job Name/Date:

Fixture Type Designation: