

# QUBO MICRO HP

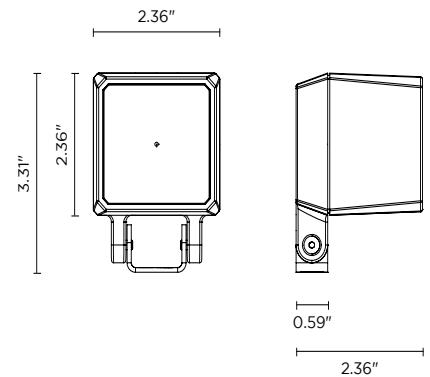
The Qubo Micro HP is a square, outdoor LED floodlight suitable for installation on a façade/wall with a U-shaped fixing bracket allowing vertical adjustment of +90° / -40°. It has 3 standard finishes and 3 optics options.



## TECHNICAL DATA

<b>Wattage / Input</b>	6W (24VDC)
<b>Power Supply</b>	Remote, not included. See page 2.
<b>Construction</b>	Body: Die-Cast Copper-Free Aluminum Screws: Stainless Steel Lens: Tempered, Safety Glass Cable Length: 3.28" included
<b>CCT</b>	3000K, 4000K
<b>CRI</b>	>80
<b>Lumen Output</b>	489 lm (3000K, 10°)
<b>Efficacy</b>	81.5 lm/W (3000K, 10°)
<b>Optics</b>	3 Standard (see below)
<b>Finishes</b>	3 Standard, Custom RAL (see below)
<b>Fixture Dimensions</b>	2.36" l x 2.36" w x 3.31" h
<b>Fixture Weight</b>	1.54 lbs
<b>LED Source</b>	1 x CREE "XHP35" LED
<b>IP Rating</b>	IP66
<b>Impact Rating</b>	IK10

Fixture Dimensions



## ORDERING INFORMATION

Example: 101601P-30K-10-TG. Accessories / Power Supplies ordered separately.

101601P	-		-		-	
Model No.	CCT	Optics	Finish			
101601P	30K - 3000K 40K - 4000K	04 - 4° 10 - 10° 28 - 28°	TG - Textured Grey (RAL 9006) AG - Anthracite Grey (RAL 7016) MB - Matte Black (on request)			

Job Name/Date:

Fixture Type Designation:

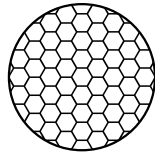
## ACCESSORIES

### Installation



**AC044**  
Ground Spike

### Anti-Glare



**AC071**  
Honeycomb Louver



**AC075**  
Anti-Glare Visor



**AC038**  
Tree Strap  
for Ring Series

## SUGGESTED POWER SUPPLIES

24VDC

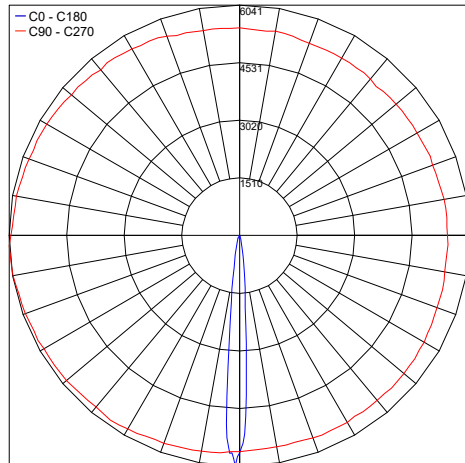
Part Number	Description	Input/Output	# of Fixtures
<a href="#">PPLT00632</a>	0-10V Dimming (Dim to OFF)	120-277VAC to 24VDC, 12W, Class 2	1-1
<a href="#">PPLT00155</a>	Non-Dim	120VAC to 24VDC, 30W, Class 2	1-4
<a href="#">PPLT00157</a>	Non-Dim	120VAC to 24VDC, 60W, Class 2	1-8
<a href="#">PPLT00599</a>	ELV/TRIAC & 0-10V Dimming (100-0%)	120-277VAC to 24VDC, 96W, Class 2	1-12
<a href="#">PPLT00158</a>	Non-Dim	120VAC to 24VDC, 100W, Class 2	1-13
<a href="#">PPLT00543</a>	0-10V Dimming to 15% (-40°C / -40°F cold weather start)	120-277VAC to 24VDC, 100W, Class 2	2-13

For other power supply options consult factory.

## PHOTOMETRIC DATA

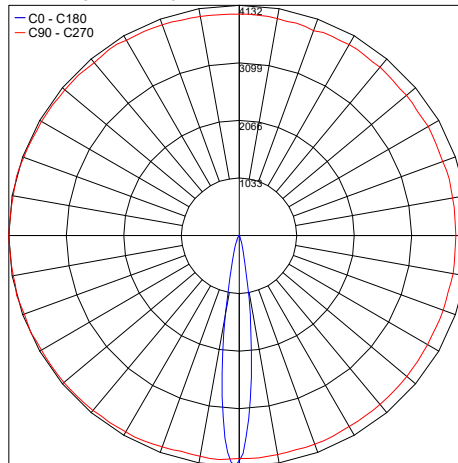
Note: All photometry is 3000K

Maximum Candela = 6040.7



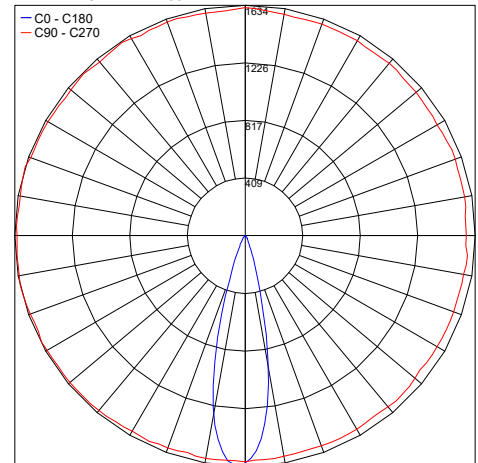
PHOTOMETRIC FILENAME : QUBO MICRO HP 3000K 4° 6W 101601PIES

Maximum Candela = 4132.4



PHOTOMETRIC FILENAME : QUBO MICRO HP 3000K 10° 6W 101601PIES

Maximum Candela = 1634.1



PHOTOMETRIC FILENAME : QUBO MICRO HP 3000K 28° 6W 101601PIES

Job Name/Date:

Fixture Type Designation: