

Technical features

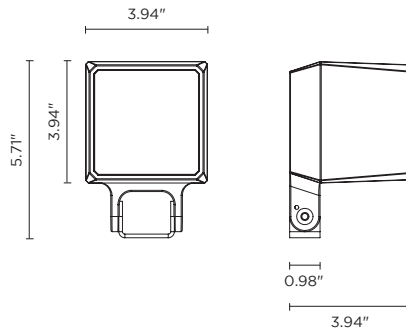


101602P

# QUBO MINI COB

Designed by  
NAVA + AROSIO

Floodlight for outdoor installation on a façade/wall, with U shape fixing bracket allowing vertical adjustment of +90° / -40°. Phospho-chromatized and polyester powder coated die-cast copper-free aluminum base and head, tempered safety glass, molded silicone gaskets, with screws in stainless steel. Built-in LED driver, with 1 COB CREE "CXB 1310" LED. IP66 rating.



Technical data

Wattage	10 WATT
IP Rating	IP66
IK Rating	IK10
Material	High corrosion resistance die-cast copper-free aluminum body
Coating	Polyester powder coating with phosphochromating pre-finish
Light source	1 x COB CREE "CXB 1310" LED
Screws	Stainless steel
Transformer	Electrical power supply 120VAC 50/60Hz built-in
Gasket	Silicone rubber
Glass	Tempered
Power cable	3.28' power cable included
Gross weight	2.87 lbs

light source	light beam options	lumen output (lm)	lumin. efficacy (lm/w)
<b>3000°K warm-white</b>			
cob led	14°	1,100	110
cob led	35°	1,060	106
cob led	55°	1,000	100
<b>4000°K neutral-white</b>			
cob led	14°	1,200	120
cob led	35°	1,140	114
cob led	55°	1,083	108

Finish color options:

-  Textured Grey RAL 9006
-  Anthracite Grey RAL 7016
-  Matte Black (on request)



## OTHER VIEW

---



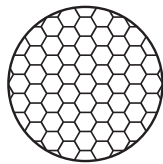
## OPTIONAL

---

AC044  
SPIKE



AC072  
HONEYCOMB LOUVER



AC076  
ANTI-GLARE VISOR



AC038  
TREE STRAP

