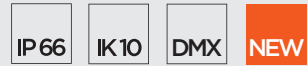


Technical features



Technical data

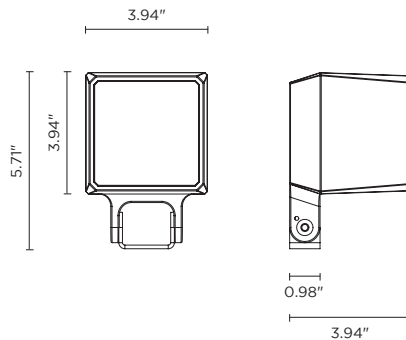
Wattage	4.5 WATT
IP Rating	IP66
IK Rating	IK10
Material	High corrosion resistance die-cast copper-free aluminum body
Coating	Polyester powder coating with phosphochromating pre-finish
Light source	1 x CREE "XML" COLOR RGBW LED
Screws	Stainless steel
DMX	DMX interface integrated
Remote driver	Constant voltage 24VDC remote driver needed
Gasket	Silicone rubber
Glass	Tempered
Power cable	3.28' power cable included
DMX cable	DMX in & DMX out cables included
Gross weight	2.87 lbs




101605RGBWP

QUBO MINI DMX RGBW

Designed by NAVA + AROSIO

Floodlight for outdoor installation on a façade/wall, with U shape fixing bracket allowing vertical adjustment of +90° / -40°. Phospho-chromatized and polyester powder coated die-cast copper-free aluminum base and head, tempered safety glass, moulded silicone gaskets, with screws in stainless steel. Remote 24VDC power supply needed, DMX driver integrated; with 1 x CREE "XML" RGBW LED. IP66 rating.



light source	light beam options	lumen output (lm)	lumin. efficacy (lm/w)
RGBW			
high-power led	 12°	160	35.55
high-power led	 25°	152	33.78
high-power led	 35°	145	32.23

Finish color options:

-  Textured Grey RAL 9006
-  Anthracite Grey RAL 7016
-  Matte Black (on request)



DMX ACCESSORIES CONTROLLERS, SPLITTERS, ETC...

To be defined together with puk technical department, according to project specifications and after providing installation details.