

QUBY IP54

BATHROOM

Fix (not adjustable) 0° - 0°

5.20" × 5.20"

Material : CALCYT® plaster and frosted diffuser

QUBY LED DIM 100 LM

REF N° 126 60 501 CRI 80 warm white 2200°K

REF N° 126 60 001 CRI 90 warm white 2700°K

REF N° 126 60 101 CRI 90 warm white 3000°K

REF N° 126 60 201 CRI 90 neutral white 4000°K

REF N° 126 60 301 royal blue

1W - excl. LED driver - current controlled 350mA - **E**

Ⓟ - serial wiring - 3 Step MacAdam
Requires remote LED driver - 350mA

QUBY LED DIM 200 LM

REF N° 126 62 501 CRI 80 warm white 2200°K

REF N° 126 62 001 CRI 90 warm white 2700°K

REF N° 126 62 101 CRI 90 warm white 3000°K

REF N° 126 62 201 CRI 90 neutral white 4000°K

REF N° 126 62 301 royal blue

2W - excl. LED driver - current controlled 350mA - **E**

Ⓟ - serial wiring - 3 Step MacAdam
Requires remote LED driver - 350mA

QUBY LED DIM 400 LM

REF N° 126 61 501 CRI 80 warm white 2200°K

REF N° 126 61 001 CRI 90 warm white 2700°K

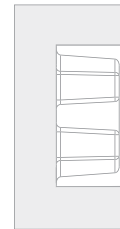
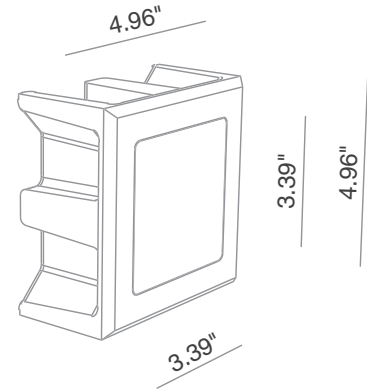
REF N° 126 61 101 CRI 90 warm white 3000°K

REF N° 126 61 201 CRI 90 neutral white 4000°K

REF N° 126 61 301 royal blue

4W - excl. LED driver - current controlled 350mA - **E**

Ⓟ - serial wiring - 3 Step MacAdam
Requires remote LED driver - 350mA



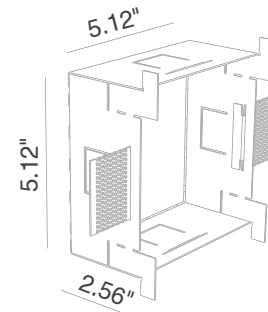
2.52"

Ready for installation in solid walls
Optional plasterkit for installation into gypsum walls

PLASTERKIT QUBY

REF N° 725 01 000 For mounting into gypsum walls

Housing: perforated aluminum



designplan™

79 Trenton Avenue
Frenchtown, NJ 08825

Tel: (908) 996-7710
Fax: (908) 996-7042