

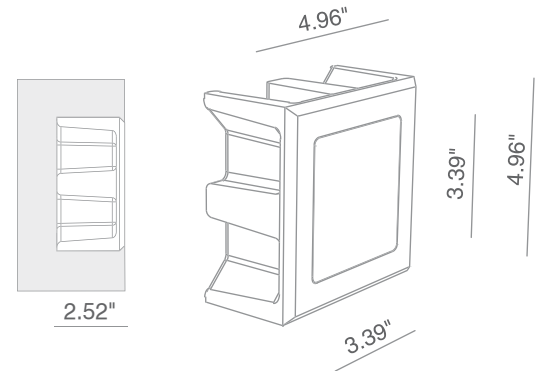
# QUBY IP54

## BATHROOM

Quby is a recessed wall luminaire made of Calcyt® plaster that can be used as orientation lighting. The fixture has a trimless opaline cover that sits flush with the wall and the absence of a metal frame makes the fixture especially elegant. It is available as indoor (IP20), bathroom or outdoor (IP54) versions in 5 color temperatures.



Ceiling Cut-Out: 5.20" x 5.20"  
Fixture Dimensions



### TECHNICAL DATA

<b>Wattage / Input</b>	1W, 2W, 4W (350mA)
<b>Power Supply</b>	Remote, not included. See page 2.
<b>Construction</b>	Body: CALCYT® plaster Lens: Frosted diffuser
<b>CCT</b>	2200K, 2700K, 3000K, 4000K, Royal Blue
<b>CRI</b>	>90 and >80
<b>Delivered Lumens</b>	42 lm (1W, 3000K)
<b>Efficacy</b>	42 lm/W
<b>Optics</b>	Fixed
<b>Finishes</b>	Paintable Plaster
<b>Fixture Dimensions</b>	4.96" l x 2.52" w x 4.96" h
<b>Cut-out Dimension</b>	5.20" x 5.20"
<b>Aperature</b>	3.39" x 3.39"
<b>Color Consistency</b>	3-Step MacAdam
<b>IP Rating</b>	IP54

### ORDERING INFORMATION

*Example: 126 60 201. Accessories / Power Supplies ordered separately.*

Model No.	Description
<b>126 60 501</b> - 2200K	1W, 100 lm, CRI 80, IP54 Bathroom
<b>126 60 001</b> - 2700K	1W, 100 lm, CRI 90, IP54 Bathroom
<b>126 60 101</b> - 3000K	1W, 100 lm, CRI 90, IP54 Bathroom
<b>126 60 201</b> - 4000K	1W, 100 lm, CRI 90, IP54 Bathroom
<b>126 60 301</b> - Royal Blue	1W, 100 lm, IP54 Bathroom
<b>126 62 501</b> - 2200K	2W, 200 lm, CRI 80, IP54 Bathroom
<b>126 62 001</b> - 2700K	2W, 200 lm, CRI 90, IP54 Bathroom
<b>126 62 101</b> - 3000K	2W, 200 lm, CRI 90, IP54 Bathroom
<b>126 62 201</b> - 4000K	2W, 200 lm, CRI 90, IP54 Bathroom
<b>126 62 301</b> - Royal Blue	2W, 200 lm, IP54 Bathroom

Job Name/Date:

Model No.	Description
<b>126 61 501</b> - 2200K	4W, 400 lm, CRI 80, IP54 Bathroom
<b>126 61 001</b> - 2700K	4W, 400 lm, CRI 90, IP54 Bathroom
<b>126 61 101</b> - 3000K	4W, 400 lm, CRI 90, IP54 Bathroom
<b>126 61 201</b> - 4000K	4W, 400 lm, CRI 90, IP54 Bathroom
<b>126 61 301</b> - Royal Blue	4W, 400 lm, IP54 Bathroom

Fixture Type Designation:

### SUGGESTED POWER SUPPLIES

350mA

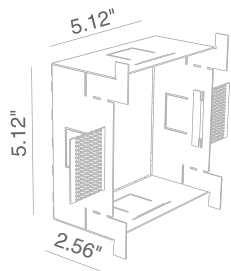
Part Number	Description	Input/Output	# of Fixtures		
			1W	2W	4W
<a href="#">PPLT00138</a>	0-10V Dimming to 10%	120-277VAC to 350mA, 4W, Class 2	2-3	1-1	N/A
<a href="#">PPLT00468</a>	Phase Dim (120V only)	120VAC to 350mA, 14W, Class 2	4-12	2-6	1-3
<a href="#">PPLT00308-P</a>	0-10V Dimming to 0.1%	120-277VAC to 350mA, 30W, Class 2	1-16	1-9	1-4
<a href="#">PPLT00309-P</a>	0-10V Dimming to 0.1%	120-277VAC to 350mA, 50W, Class 2	1-16	1-9	1-4
<a href="#">PPLT00538-P</a>	0-10V Dimming to 0.1%	120-277VAC to 350mA, 100W, Class 2	1-68	1-40	1-16

### Suggested Lutron Compatible

Part Number	Option	Lutron SKU	Dim Range	Description	Input/Output	# of Fixtures		
						1W	2W	4W
<a href="#">PPLT00252</a>	LTEA2W	LTEA	100%-1%	Hi-Lume™ 1% 2-Wire LED Driv. (120V forward phase only)	120VAC to 350mA, 7W, Class 2	4-5	2-3	1-1
<a href="#">PPLT00247</a>	L3DAE / L3DA3W	L3DA	100%-1%	Hi-Lume™ 1% EcoSystem™ or 1% 3-Wire LED Driv.	120-277VAC to 350mA, 7W, Class 2	4-5	2-3	1-1
<a href="#">PPLT00516</a>	L3DAE / L3DA3W	L3DA	100%-1%	Hi-Lume™ 1% EcoSystem™ or 1% 3-Wire LED Driv.	120-277VAC to 350mA, 13W, Class 2	6-11	3-6	2-3
<a href="#">PPLT00271</a>	LTEA2W	LTEA	100%-1%	Hi-Lume™ 1% 2-Wire LED Driv. (120V forward phase only)	120VAC to 350mA, 13W, Class 2	6-11	3-6	2-3
<a href="#">PPLT00179</a>	L3DAE / L3DA3W	L3DA	100%-1%	Hi-Lume™ 1% EcoSystem™ or 1% 3-Wire LED Driv.	120-277VAC to 350mA, 19W, Class 2	12-16	6-9	3-4
<a href="#">PPLT00220</a>	LTEA2W	LTEA	100%-1%	Hi-Lume™ 1% 2-Wire LED Driv. (120V forward phase only)	120VAC to 350mA, 19W, Class 2	12-16	6-9	3-4

For other power supply options consult factory.

### ACCESSORIES - Installation

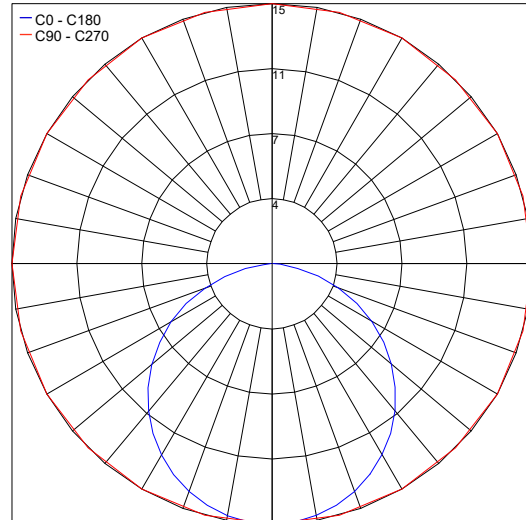


**725 01 000**  
Outer Casing

### PHOTOMETRIC DATA

Note all Photometry is 3000K

Maximum Candela = 14.9



Job Name/Date:

Fixture Type Designation: