



LED light bar R-SL-16-TG

description:

LED light bar for table, profile Ø 0.63",
360° rotatable

housing color:

aluminum anodized black, silver, gold

optic:

linear optics with 22°, 35°, 50°, 55° beam angle 240
LEDs/m (smallest separable unit 0.98")

light color (+/- 100K):

2700K, 3000K, 4000K,
Tunable White 2700K - 6500K

mid power LED, high CRI DIN EN 55015:2013,

lifetime 50,000 hours | basis of lifetime L80B10

protection class: IP20**max. luminous flux (3000K | linear optic 50°):**

900lm/m at 15W/m (60 lm/W)

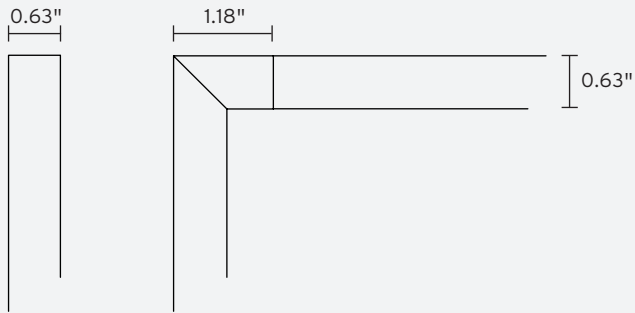
power input: 24VDC constant voltage**allowed LED supply:**

- power supply of PWM series by MeanWell
with constant voltage 24VDC
- additional power supply is required for C1-mini-R-SL
spotlight: LPF, LPV, NPF or APV by MeanWell with
constant voltage 12VDC
(other power supplies on request)

dimming: see drivers**optional accessory:**

anti-glare profile, aluminum anodized black, silver, gold
or powder-coated according to RAL,
light diffusion foil, LED spotlight C1-mini-R-SL

dimensions

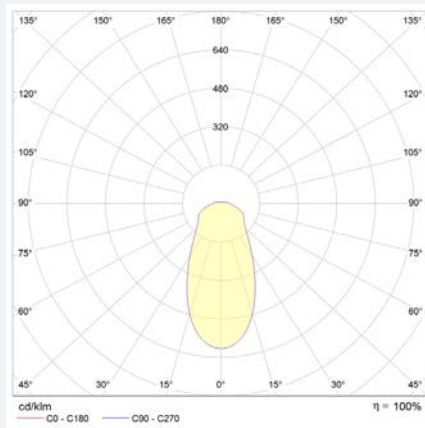
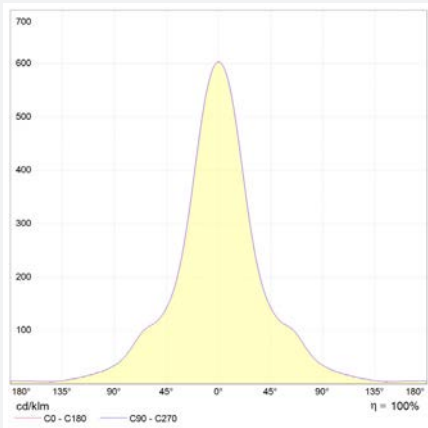


- max. profile length 78.74", individual cut from 3.94" to 78.74"
- center support recommended from 47.24" length
- standard extension max. 17.32" (max. visible length 15.75")
- can be shortened on request
- additional height adjustable via flange
- panel thickness 0.08" - 0.91"
- borehole \varnothing 0.65"

specification in inches

photometry

for light color 3000K | linear optics 50° | color rendering index typ. 97, R9 > 90, R12 > 90 | color variation \leq 3 SDCM



technical changes reserved | May 2021