



LED light bar R1

description:

LED light bar, profile \varnothing 0.39", mountable magnetic, rotatable 360°

housing color:

aluminum anodized black, silver, gold

optic:

linear optics satined with 50° or 70° beam angle
240 LEDs/m (smallest separable unit 0.98")

light color (+/- 100K):

2700K, 3000K, 4000K,
Tunable White 2700K - 6500K

mid power LED, high CRI DIN EN 55015:2013,
lifetime 50,000 hours | basis of lifetime L80B10

protection class: IP20

max. luminous flux (3000K | linear optic 50°):

900 lm/m at 15 W/m (60 lm/W)

power input:

24VDC constant voltage

allowed LED supply:

power supply of PWM series by MeanWell
with constant voltage 24VDC
(other power supplies on request)

dimming:

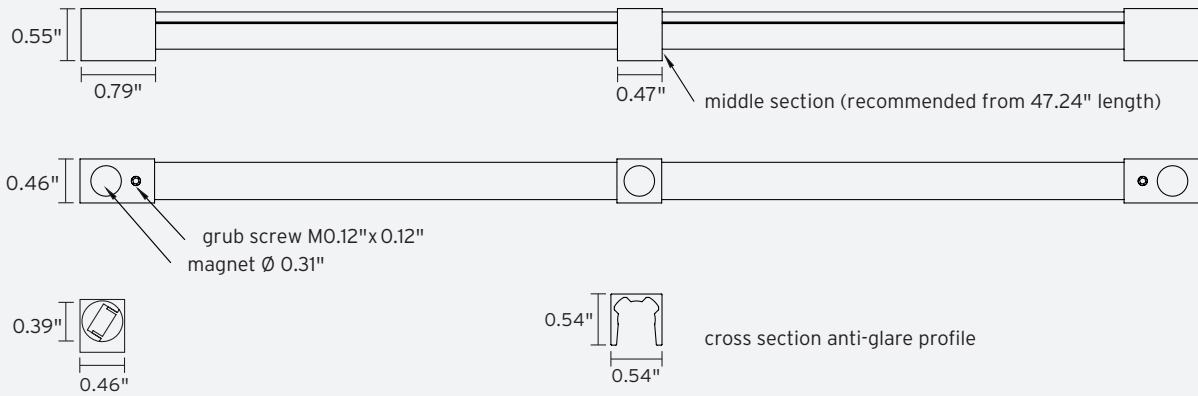
see drivers

optional accessory:

anti-glare profile 0.54" x 0.54",
anodized aluminum or powder-coated according to RAL

dimensions

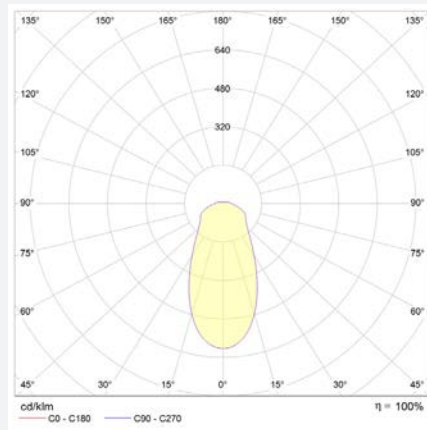
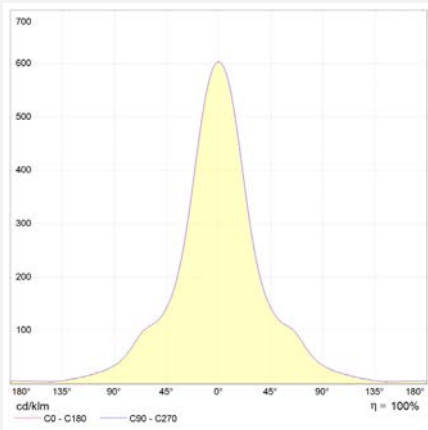
length: individual cut from 3.94" to 118.11"



specification in inches

photometry

for light color 3000K | linear optics 50° | color rendering index typ. 97, R9 > 90, R12 > 90 | color variation ≤ 3 SDCM



technical changes reserved | May 2021