

Razor IP44 is a totally disappearing modular recessed luminaire made of Coral WaterOut® that is suitable for use in bathrooms and outdoor installation on walls or ceilings. It is available in 3000K as standard with a 14° optic and creates a blade of light 1.77" wide.



Fixture Dimensions
See *Drawing on page 2*

See *Accessories on page 3*

TECHNICAL DATA

Wattage / Input	2W (500mA)
Power Supply	Remote, not included. See page 2.
Construction	Body: Coral WaterOut®
CCT	3000K (2700K, 4000K on request)
CRI	>90
Delivered Lumens	75 lm (3000K)
Efficacy	37.5 lm/W
Optics	14°
Finishes	Coral WaterOut®
LED Source	Professional COB LED
Fixture Dimensions	BU6965.CW - 16.06" l x 4.13" w BU6966.CW - 40.94" l x 4.13" w
Cut-out Dimension	BU6965.CW - 16.34" l x 4.53" w BU6966.CW - 41.34" l x 4.53" w
Fixture Weight	BU6965.CW - 6.17 lbs BU6966.CW - 13.67 lbs
IP Rating	IP44

ORDERING INFORMATION

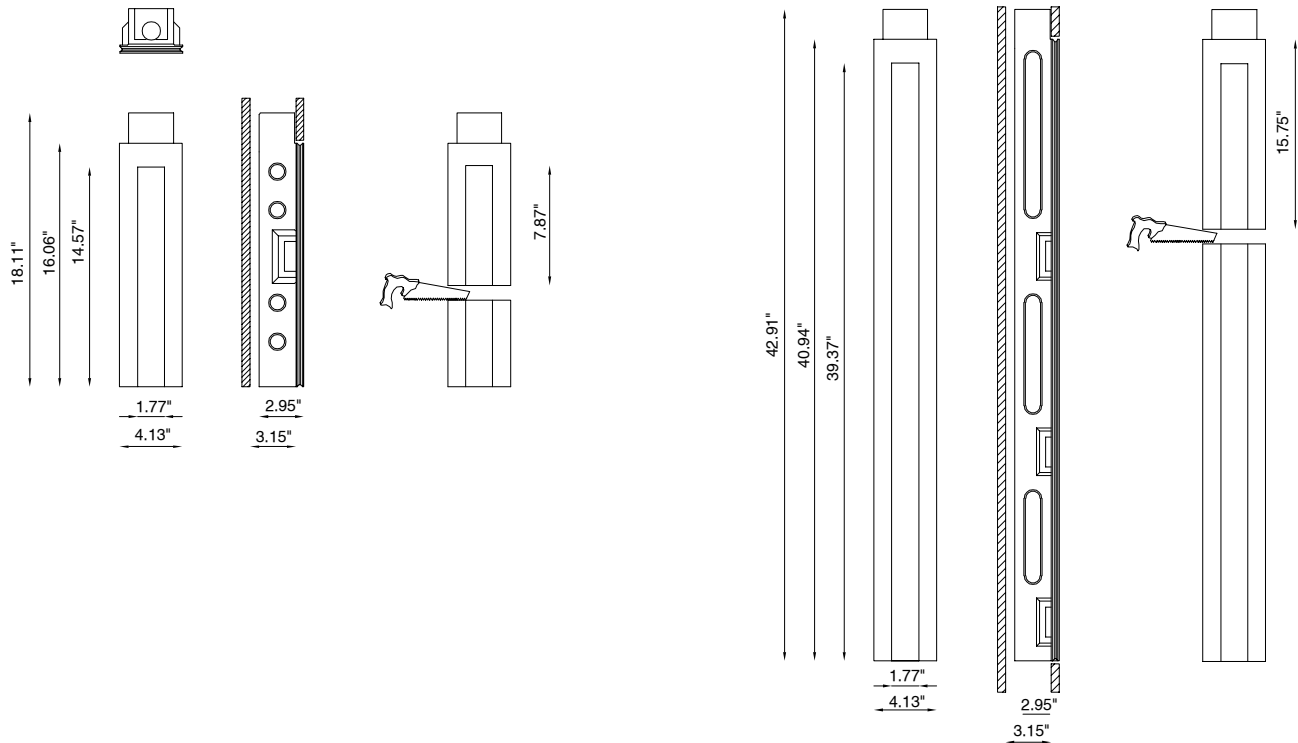
Example: BU6965.CW.US. Power Supplies and Accessories ordered separately.

	CW	US
Model No.	Optics	
BU6965 - 16.06" length	CW - CoralWaterOut®	US
BU6966 - 40.94" length		

Job Name/Date:

Fixture Type Designation:

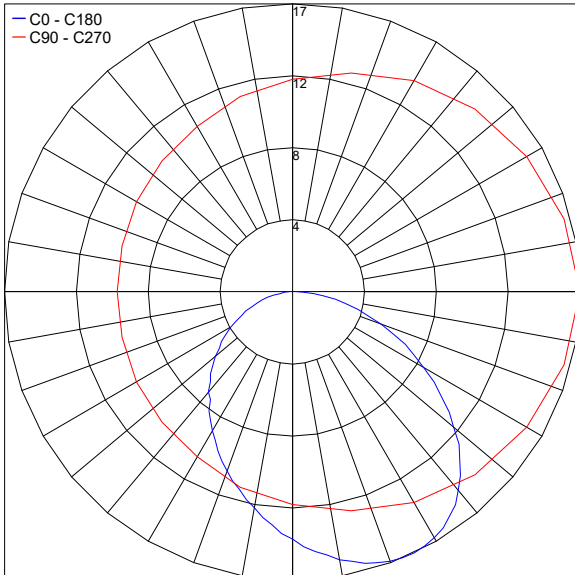
FIXTURE DIMENSIONS



PHOTOMETRIC DATA

Note all Photometry is 3000K

Maximum Candela = 16.5



Job Name/Date:

Fixture Type Designation:

SUGGESTED POWER SUPPLIES

500mA

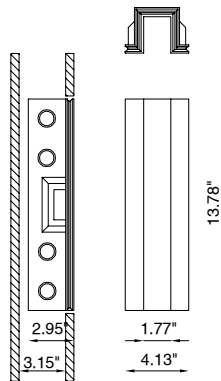
Part Number	Description	Input/Output	# of Fixtures
PPLT00187	0-10V Dimming to 10%	120-277VAC to 500mA, 10W, Class 2	4-4
PPLT00469	Phase Dim (120V only)	120VAC to 500mA, 14W, Class 2	4-6
PPLT00465-P	0-10V Dimming to 1.0%	120-277VAC to 500mA, 20W, Class 2	1-10
PPLT00262	Leading / Trailing-Edge Dimming to 10% (120V only)	120-277VAC to 500mA, 32W, Class 2	8-11
PPLT00467-P	0-10V Dimming to 1.0%	120-277VAC to 500mA, 50W, Class 2	1-13
PPLT00538-P	0-10V Dimming to 0.1%	120-277VAC to 500mA, 100W, Class 2	1-48

Suggested Lutron Compatible

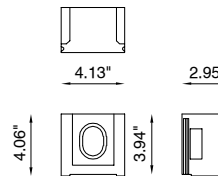
Part Number	Option	Lutron SKU	Dim Range	Description	Input/Output	# of Fixtures
PPLT00249	LTEA2W	LTEA	100%-1%	Hi-Lume™ 1% 2-Wire LED Driver (120V forward phase only)	120VAC to 500mA, 10W, Class 2	4-4
PPLT00259	L3DAE / L3DA3W	L3DA	100%-1%	Hi-Lume™ 1% EcoSystem™ or 1% 3-Wire LED Driver	120-277VAC to 500mA, 10W, Class 2	4-4
PPLT00195	L3DAE / L3DA3W	L3DA	100%-1%	Hi-Lume™ 1% EcoSystem™ or 1% 3-Wire LED Driver	120-277VAC to 500mA, 19W, Class 2	6-9
PPLT00180	L3DAE / L3DA3W	L3DA	100%-1%	Hi-Lume™ 1% EcoSystem™ or 1% 3-Wire LED Driver	120-277VAC to 500mA, 27W, Class 2	12-13
PPLT00250	LTEA2W	LTEA	100%-1%	Hi-Lume™ 1% 2-Wire LED Driver (120V forward phase only)	120VAC to 500mA, 27W, Class 2	12-13

For other power supply options consult factory.

ACCESSORIES Installation



BU6964.CW.US
Modular Body
13.78" for each module
installed x 4.53"
(cut out dimensions)



BU6963.CW.US
Closure Headparts
4.53" x 4.53" (cut out dimensions)

Job Name/Date:

Fixture Type Designation: