

RING



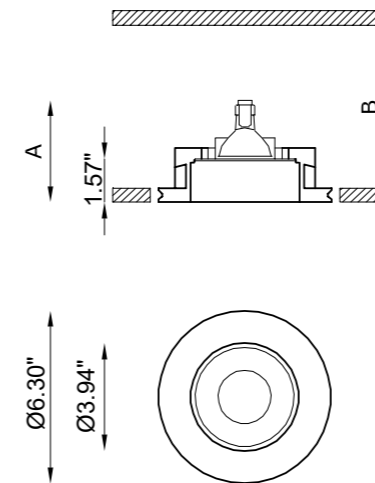
Harmony and light, design and simplicity, elegance and discretion: Ring is the indoor totally disappearing recessed luminaire made of AirCoral®, installable on plasterboard or brick ceilings, that decorates the spaces it is installed in. A simple shaped light combined with a highly technical product. The directable mechanic and the 1.57" reverse light source make Ring extremely versatile and balanced between functionality and design.

designplan™ 



79 Trenton Avenue
Frenchtown, NJ 08825

www.designplan.com

Tel: (908) 996-7710
Fax: (908) 996-7042



TECHNICAL FEATURES

Code	BU6238.Z.AC.US
Type	Tiltable downlight and wall recessed +/- 30° 
Material	AC: AirCoral®
Absorption capacity*	27.12 ft ²
Weight	1.98 lbs
Mounting	Wall and ceiling recessed
IP rating	IP20
Control gear	Constant current electronic driver (not included)
Dimensions	A: 3.54"; B: 4.72"
Cut out for plasterboard	Ø 6.69"
Lamp type	LED 500mA 
Lamp wattage	1 x 10W
Luminous efficacy	105 lm/W - 3000K
Light distribution	Wide beam 40°
Light color	White 3000K
Light hole	Ø 3.94"
CRI	>90

* The absorption capacity per ft³ calculated by the American organization TCNA (Tile Council of North America) is measured for an average room of 8.86' in height and therefore expressed in ft²