

RIVER / RIVER WALL

OUTDOOR LINEAR PROFILES
LIGHTING WITH DIFFUSE LIGHT OR OPTICS FOR WALLS AND FACADES

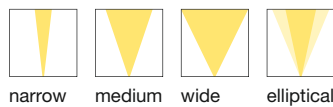


INSTALLATION ON BRACKETS

20.47"

40.16"

WITH OPTICS – LED Spacing 1.97"



RIVER WALL 1.0
20W 120VAC



RIVER WALL 2.0
40W 120VAC

WITH OPTICS – LED Spacing 1.97"



wall washer



RIVER WALL 1.1
20W 120VAC



RIVER WALL 2.1
40W 120VAC

WITH OPTICS – LED Spacing 1.97"



RGBW



narrow medium wide



RIVER WALL 4.0
30W 48VDC with DMX



RIVER WALL 5.0
60W 48VDC with DMX

DIFFUSE OPTICS



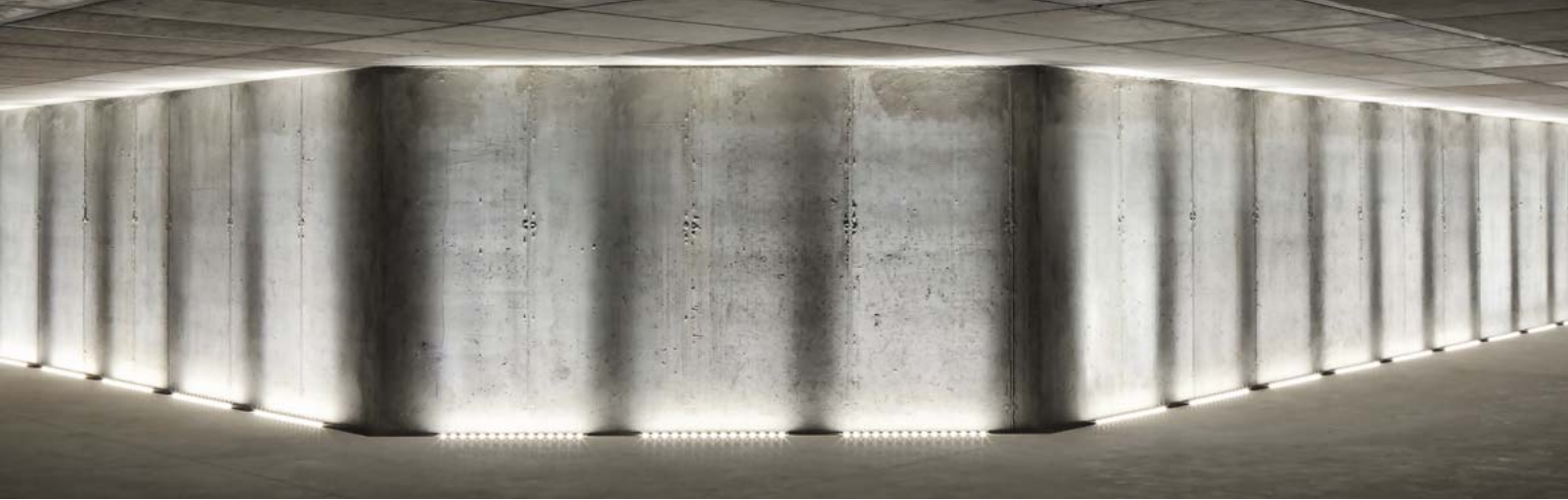
diffuse



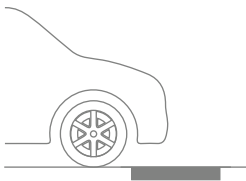
RIVER WALL 1.2
10W 120VAC



RIVER WALL 2.2
20W 120VAC



^
RIVER WALL 2.0
 3000K, 40W, 11°, with brackets



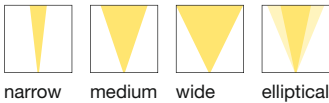
RECESSED INSTALLATION

19.69"

39.37"

WITH OPTICS – LED Spacing 1.97"

2700K 3000K 4000K 5000K blue



narrow medium wide elliptical



RIVER 1.0
 20W 120VAC



RIVER 2.0
 40W 120VAC

WITH OPTICS – LED Spacing 1.97"

2700K 3000K 4000K 5000K blue



wall washer



RIVER 1.1
 20W 120VAC



RIVER 2.1
 40W 120VAC

WITH OPTICS – LED Spacing 1.97"



RGBW



narrow medium wide



RIVER 4.0
 30W 48VDC with DMX



RIVER 5.0
 60W 48VDC with DMX

DIFFUSE OPTICS

2700K 3000K 4000K



diffuse



RIVER 1.2
 10W 120VAC

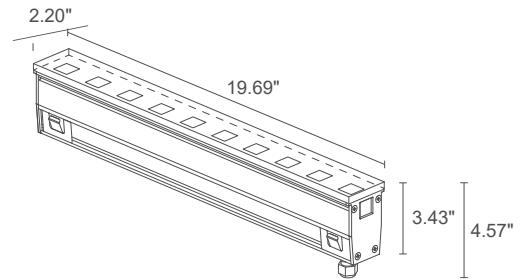


RIVER 2.2
 20W 120VAC

RIVER 1



RIVER 1.0



✓
RIVER 1.1
3000K, 20W



4409.2 lbs 7.4 lbs IP67 IK09

LED TECH IPS PID T max 113°F

POWER / POWER SUPPLY 20W 120VAC 19.69" LED Spacing 1.97"
MODEL NO. RV1010 ■ ■ V

LED COLOR
F - 2700K
5 - 3000K
9 - 4000K
0 - 5000K
1 - blue

OPTICS
S - 11°
M - 30°
L - 47°
W - 10°x40°

LUMEN OUTPUT AT SOURCE 1450 lm (3000K)

DELIVERED LUMEN OUTPUT 1050 lm (3000K, 30°)

NO. AND TYPE OF LED 10 power LEDs LED Spacing 1.97"
1/4 ANSI BIN (white LED color)
50000h L90 B10 (Ta 25°C)

MATERIAL body in anodized aluminum
lens in tempered, transparent glass

POWER SUPPLY UNIT built in

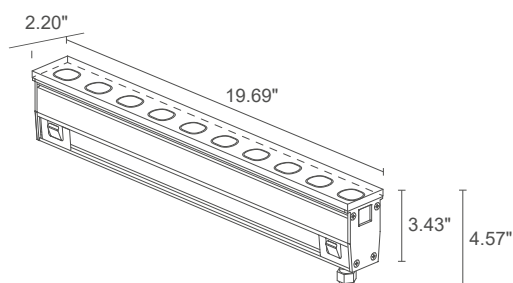
POWER CABLES includes 4.92' neoprene cable
H07RN-F 0.12"x0.04" Ø0.37"

MOUNTING recessed (wall, ground)

ACCESSORIES see accessories page



RIVER 1.1



4409.2 lbs 7.4 lbs IP67 IK09
LED TECH IPS PID T max 113°F

20W 120VAC 19.69" LED spacing 1.97"
RV1110 ■ V1 V

■	F - 2700K 5 - 3000K 9 - 4000K 0 - 5000K 1 - blue
---	--

wall washer

1450 lm (3000K)

1049 lm (3000K)

10 power LEDs LED Spacing 1.97"
1/4 ANSI BIN (white LED color)
50000h L90 B10 (Ta 25°C)

body in anodized aluminum
lens in tempered, transparent glass

built in

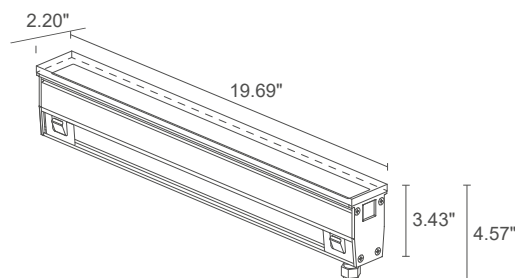
includes 4.92' neoprene cable
H07RN-F 0.12"x0.04" Ø0.37"

recessed (wall, ground)

see accessories page



RIVER 1.2



4409.2 lbs 7.4 lbs IP67 IK09
LED TECH IPS PID T max 113°F

10W 120VAC 19.69"
RV1210 ■ D V

■	F - 2700K 5 - 3000K 9 - 4000K
---	-------------------------------------

diffuse

924 lm (3000K)

473 lm (3000K)

66 SMD mid-power LEDs
3-step MacAdam
50000h L90 B10 (Ta 25°C)

body in anodized aluminum
lens in acid-etched, tempered extra-clear glass

built in

includes 4.92' neoprene cable
H07RN-F 0.12"x0.04" Ø0.37"

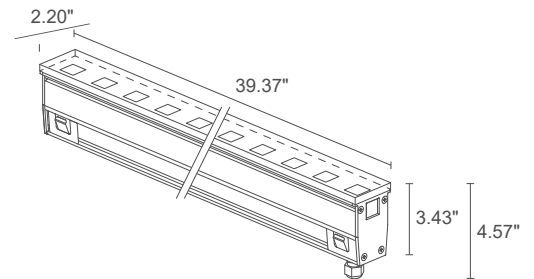
recessed (wall, ground)

see accessories page

RIVER 2



RIVER 2.0



✓
RIVER 2.0
3000K, 40W, 30°



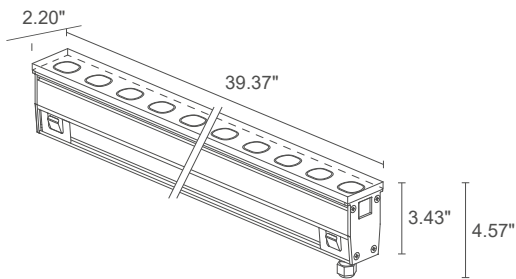
4409.2 lbs 12.5 lbs IP67 IK09

LED TECH IPS PID T max 113°F

POWER / POWER SUPPLY MODEL NO.	40W 120VAC 39.37" LED Spacing 1.97" RV2010 ■ ■ V
LED COLOR	F - 2700K 5 - 3000K 9 - 4000K 0 - 5000K 1 - blue
OPTICS	S - 11° M - 30° L - 47° W - 10°x40°
LUMEN OUTPUT AT SOURCE	2900 lm (3000K)
DELIVERED LUMEN OUTPUT	2100 lm (3000K, 30°)
NO. AND TYPE OF LED	20 power LEDs LED Spacing 1.97" 1/4 ANSI BIN (white LED color) 50000h L90 B10 (Ta 25°C)
MATERIAL	body in anodized aluminum lens in tempered, transparent glass
POWER SUPPLY UNIT	built in
POWER CABLES	includes 4.92' neoprene cable H07RN-F 0.12"x0.04" Ø0.37"
MOUNTING	recessed (wall, ground)
ACCESSORIES	see accessories page



RIVER 2.1



4409.2 lbs 12.5 lbs IP67 IK09
LED TECH IPS PID T max 113°F

40W 120VAC 39.37" LED Spacing 1.97"
RV2110 V1 V

F - 2700K
5 - 3000K
9 - 4000K
0 - 5000K
1 - blue

wall washer

2900 lm (3000K)

2098 lm (3000K)

20 power LEDs LED Spacing 1.97"
1/4 ANSI BIN (white LED color)
50000h L90 B10 (Ta 25°C)

body in anodized aluminum
lens in tempered, transparent glass

built in

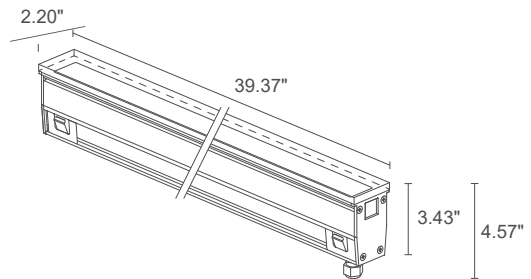
includes 4.92' neoprene cable
H07RN-F 0.12"x0.04" Ø0.37"

recessed (wall, ground)

see accessories page



RIVER 2.2



4409.2 lbs 12.5 lbs IP67 IK09
LED TECH IPS PID T max 113°F

20W 120VAC 39.37"
RV2210 DV

F - 2700K
5 - 3000K
9 - 4000K

diffuse

1848 lm (3000K)

946 lm (3000K)

132 SMD mid-power LEDs
3-step MacAdam
50000h L90 B10 (Ta 25°C)

body in anodized aluminum
lens in acid-etched, tempered extra-clear glass

built in

includes 4.92' neoprene cable
H07RN-F 0.12"x0.04" Ø0.37"

recessed (wall, ground)

see accessories page



RIVER 1.0

4000K, 20W, 10°x40°
(installed in the ground)

RIVER 2.0

4000K, 40W, 47°
(mounted on the ceiling, customized version)

LYSS 1.0

4000K, 9W, satin 20°x180°, white

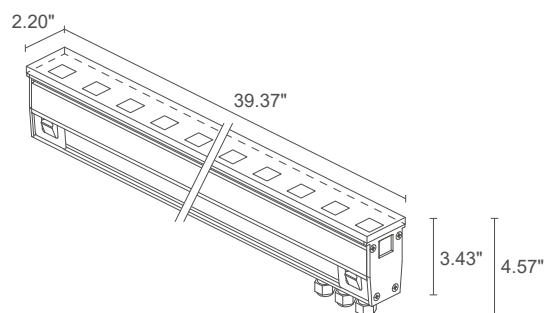
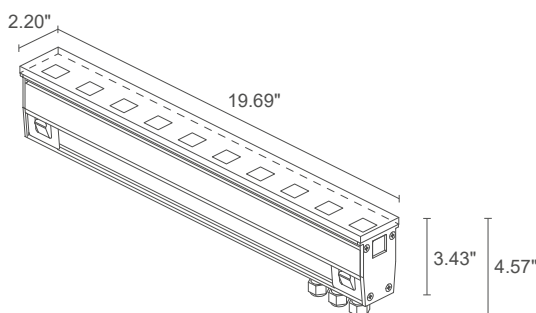
Project by / arch. **Ciro Alfredo Matarante**
Castellano Gruppo Alimentare
Cerignola, Foggia, Italy

RIVER 4 / 5



RIVER 4.0

RIVER 5.0



4409.2 lbs 7.4 lbs IP67 IK09 DMX RDM

LED TECH IPS T max 113°F

4409.2 lbs 12.5 lbs IP67 IK09 DMX RDM

LED TECH IPS T max 113°F

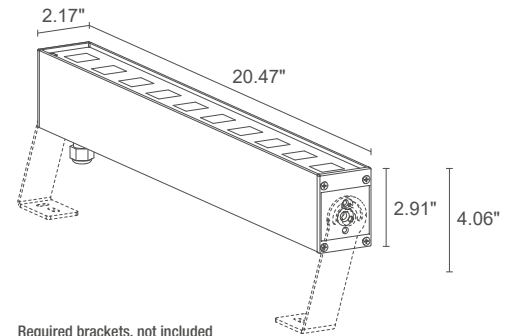
POWER / POWER SUPPLY MODEL NO.	30W 48VDC + DMX512 19.69" LED Spacing 1.97" RV4000 7 ■ V
OPTICS	S - 13° M - 33° L - 47°
LED COLOR	RGBW
LUMEN OUTPUT AT SOURCE	3234 lm, R: 658 lm G: 1022 lm B: 378 lm W: 1176 lm (4000K)
DELIVERED LUMEN OUTPUT	2310 lm, R: 470 lm G: 730 lm B: 270 lm W: 840 lm (4000K, 33°)
NO. AND TYPE OF LED	40 power LEDs (10 power LEDs 4000K, 30 power LEDs RGB) LED Spacing 1.97" 50000h L90 B10 (Ta 25°C)
MATERIAL	body in anodized aluminum lens in tempered, transparent glass
POWER SUPPLY UNIT	remote power supply required, not included
POWER CABLES	includes 3.28'x4.92' neoprene cable H07RN-F 0.08"x0.04"Ø0.34" and 6.56'x4.92' neoprene cables 05RN-F 0.16"x0.02" Ø0.23"
MOUNTING	recessed (wall, ground)
ACCESSORIES	see accessories page

POWER / POWER SUPPLY MODEL NO.	60W 48VDC + DMX512 39.37" LED Spacing 1.97" RV5000 7 ■ V
OPTICS	S - 13° M - 33° L - 47°
LED COLOR	RGBW
LUMEN OUTPUT AT SOURCE	6468 lm, R: 1316 lm G: 2044 lm B: 756 lm W: 2352 lm (4000K)
DELIVERED LUMEN OUTPUT	4620 lm, R: 940 lm G: 1460 lm B: 540 lm W: 1680 lm (4000K, 33°)
NO. AND TYPE OF LED	80 power LEDs (20 power LEDs 4000K, 60 power LEDs RGB) LED Spacing 1.97" 50000h L90 B10 (Ta 25°C)
MATERIAL	body in anodized aluminum lens in tempered, transparent glass
POWER SUPPLY UNIT	remote power supply required, not included
POWER CABLES	includes 3.28'x4.92' neoprene cable H07RN-F 0.08"x0.04"Ø0.34" and 6.56'x4.92' neoprene cables 05RN-F 0.16"x0.02" Ø0.23"
MOUNTING	recessed (wall, ground)
ACCESSORIES	see accessories page

RIVER WALL 1



RIVER WALL 1.0



✓
RIVER WALL 1.0
 3000K, 20W, 10°x40°, with brackets

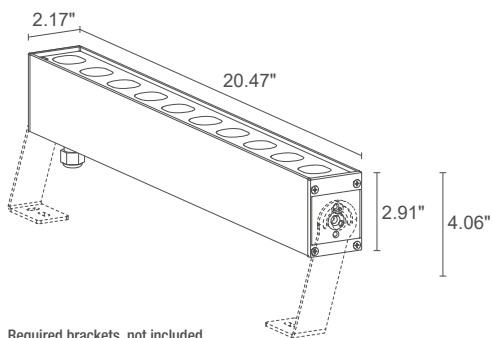


LED TECH 6.6 lbs IP66 IK06
 IPS PID T max 113°F

POWER / POWER SUPPLY MODEL NO.	20W 120VAC 20.47" LED Spacing 1.97" RW1010 ■ ■ F Gray
LED COLOR	F - 2700K 5 - 3000K 9 - 4000K 0 - 5000K 1 - blue
OPTICS	S - 11° M - 30° L - 47° W - 10°x40°
LUMEN OUTPUT AT SOURCE	1450 lm (3000K)
DELIVERED LUMEN OUTPUT	1050 lm (3000K, 30°)
NO. AND TYPE OF LED	10 power LEDs pitch 50 mm 1/4 ANSI BIN (white LED color) 50000h L90 B10 (Ta 25°C)
MATERIAL	body in anodized aluminum lens in tempered, transparent glass
POWER SUPPLY UNIT	built in
POWER CABLES	includes 4.92' neoprene cable H07RN-F 0.12"x0.04" Ø0.37"
MOUNTING	surface mounted (ceiling, wall, ground) with brackets
ACCESSORIES	see accessories page



RIVER WALL 1.1



Required brackets, not included



20W 120VAC 20.47" LED spacing 1.97"
RW1110 ■ V1 F Gray

- F - 2700K
- 5 - 3000K
- 9 - 4000K
- 0 - 5000K
- 1 - blue

wall washer

1450 lm (3000K)

1049 lm (3000K)

10 power LEDs LED Spacing 1.97"
1/4 ANSI BIN (white LED color)
50000h L90 B10 (Ta 25°C)

body in anodized aluminum
lens in tempered, transparent glass

built in

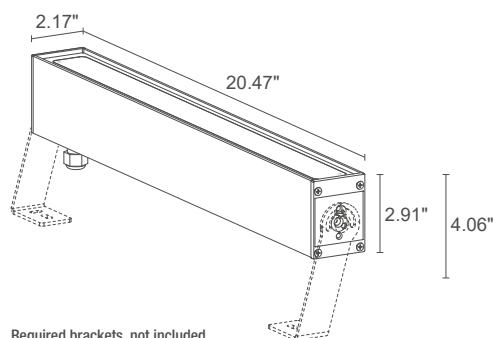
includes 4.92' neoprene cable
H07RN-F 0.12"x0.04" Ø0.37"

surface mounted (ceiling, wall, ground) with brackets

see accessories page



RIVER WALL 1.2



Required brackets, not included



10W 120VAC 20.47"
RW1210 ■ D F Gray

- F - 2700K
- 5 - 3000K
- 9 - 4000K

diffuse

924 lm (3000K)

473 lm (3000K)

66 SMD mid-power LEDs
3-step MacAdam
50000h L90 B10 (Ta 25°C)

body in anodized aluminum
lens in acid-etched, tempered extra-clear glass

built in

includes 4.92' neoprene cable
H07RN-F 0.12"x0.04" Ø0.37"

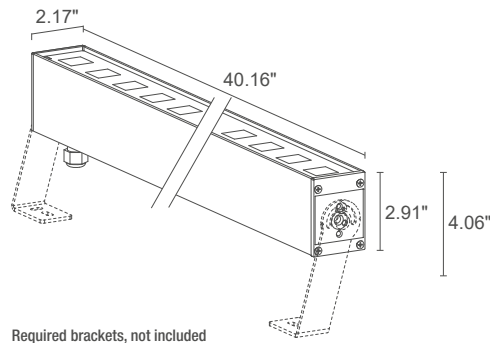
surface mounted (ceiling, wall, ground) with brackets

see accessories page

RIVER WALL 2



RIVER WALL 2.0



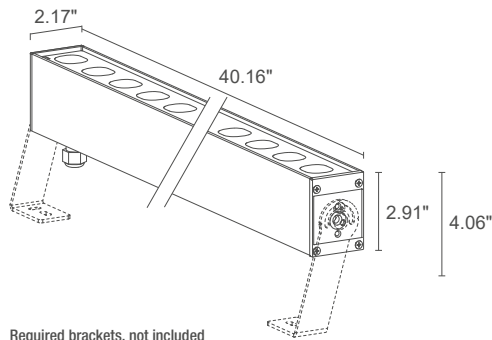
Required brackets, not included



POWER / POWER SUPPLY MODEL NO.	40W 120VAC 40.16" LED Spacing 1.97" RW2010 ■ F Gray
LED COLOR	F - 2700K 5 - 3000K 9 - 4000K 0 - 5000K 1 - blue
OPTICS	S - 11° M - 30° L - 47° W - 10°x40°
LUMEN OUTPUT AT SOURCE	2900 lm (3000K)
DELIVERED LUMEN OUTPUT	2100 lm (3000K, 30°)
NO. AND TYPE OF LED	20 power LEDs LED Spacing 1.97" 1/4 ANSI BIN (white LED color) 50000h L90 B10 (Ta 25°C)
MATERIAL	body in anodized aluminum lens in tempered, transparent glass
POWER SUPPLY UNIT	built in
POWER CABLES	includes 4.92' neoprene cable H07RN-F 0.12"x0.04" Ø0.37"
MOUNTING	surface mounted (ceiling, wall, ground) with brackets
ACCESSORIES	see accessories page



RIVER WALL 2.1



Required brackets, not included

LED TECH 11.5 lbs IP66 IK06

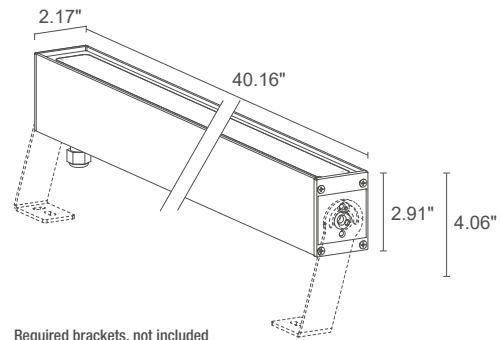
IPS PID T max 113°F

40W 120VAC 40.16" LED Spacing 1.97"
RW2110 V1 F Gray

<ul style="list-style-type: none"> ■ F - 2700K 5 - 3000K 9 - 4000K 0 - 5000K 1 - blue
<p>wall washer</p>
<p>2900 lm (3000K)</p>
<p>2098 lm (3000K)</p>
<p>20 power LEDs LED Spacing 1.97" 1/4 ANSI BIN (white LED color) 50000h L90 B10 (Ta 25°C)</p>
<p>body in anodized aluminum lens in tempered, transparent glass</p>
<p>built in</p>
<p>includes 4.92' neoprene cable H07RN-F 0.12"x0.04" Ø0.37"</p>
<p>surface mounted (ceiling, wall, ground) with brackets</p>
<p>see accessories page</p>



RIVER WALL 2.2



Required brackets, not included

LED TECH 11.5 lbs IP66 IK06

IPS PID T max 113°F

20W 120VAC 40.16"
RW2210 D F Gray

<ul style="list-style-type: none"> ■ F - 2700K 5 - 3000K 9 - 4000K
<p>diffuse</p>
<p>1848 lm (3000K)</p>
<p>946 lm (3000K)</p>
<p>132 SMD mid-power LEDs 3-step MacAdam 50000h L90 B10 (Ta 25°C)</p>
<p>body in anodized aluminum lens in acid-etched, tempered extra-clear glass</p>
<p>built in</p>
<p>includes 4.92' neoprene cable H07RN-F 0.12"x0.04" Ø0.37"</p>
<p>surface mounted (ceiling, wall, ground) with brackets</p>
<p>see accessories page</p>



Î l e d e l a R é u n i o n

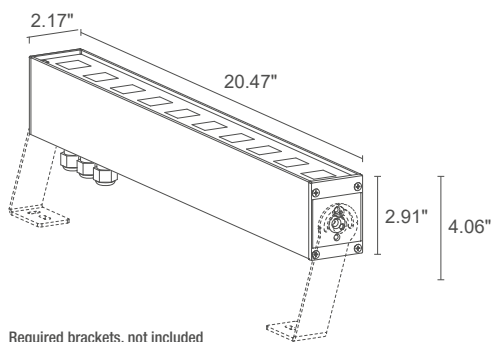
RIVER WALL 5.0
RGBW, 60W, 33°, gray

Light planning by / Agence Stéphanie Daniel
Photo by / Michel Gantner
Antenne de Paris du Département
de La Réunion, Paris, France

RIVER WALL 4 / 5

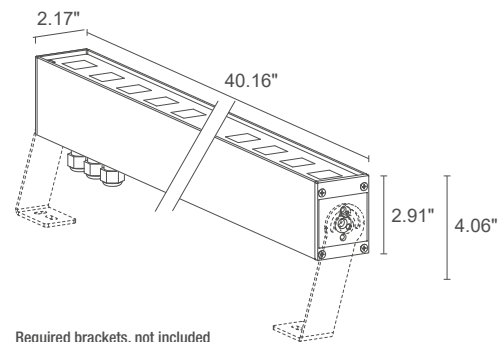


RIVER WALL 4.0



7.4 lbs IP66 IK06 DMX RDM
LED TOSHIBA IPS T max 113°F

RIVER WALL 5.0



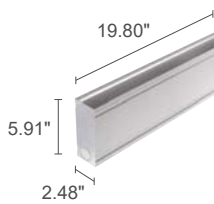
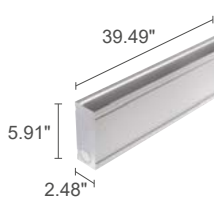
11.5 lbs IP66 IK06 DMX RDM
LED TOSHIBA IPS T max 113°F

POWER / POWER SUPPLY MODEL NO.	30W 48VDC + DMX512 20.47" LED Spacing 1.97" RW4000 7 ■ F Gray
OPTICS	S - 13° M - 33° L - 47°
LED COLOR	RGBW
LUMEN OUTPUT AT SOURCE	3234 lm, R: 658 lm G: 1022 lm B: 378 lm W: 1176 lm (4000K)
DELIVERED LUMEN OUTPUT	2310 lm, R: 470 lm G: 730 lm B: 270 lm W: 840 lm (4000K, 33°)
NO. AND TYPE OF LED	40 power LEDs (10 power LEDs 4000K, 30 power LEDs RGB) LED Spacing 1.97" 50000h L90 B10 (Ta 25°C)
MATERIAL	body in anodized aluminum lens in tempered, transparent glass
POWER SUPPLY UNIT	power supply required, not included
POWER CABLES	includes 3.28'x4.92' neoprene cable H07RN-F 0.08"x0.04"Ø0.34" and 6.56'x4.92' neoprene cables 05RN-F 0.16"x0.02" Ø0.23"
MOUNTING	surface mounted (ceiling, wall, ground) with brackets
ACCESSORIES	see accessories page

POWER / POWER SUPPLY MODEL NO.	60W 48VDC + DMX512 40.16" LED Spacing 1.97" RW5000 7 ■ F Gray
OPTICS	S - 13° M - 33° L - 47°
LED COLOR	RGBW
LUMEN OUTPUT AT SOURCE	6468 lm, R: 1316 lm G: 2044 lm B: 756 lm W: 2352 lm (4000K)
DELIVERED LUMEN OUTPUT	4620 lm, R: 940 lm G: 1460 lm B: 540 lm W: 1680 lm (4000K, 33°)
NO. AND TYPE OF LED	80 power LEDs (20 power LEDs 4000K, 60 power LEDs RGB) LED Spacing 1.97" 50000h L90 B10 (Ta 25°C)
MATERIAL	body in anodized aluminum lens in tempered, transparent glass
POWER SUPPLY UNIT	power supply required, not included
POWER CABLES	includes 3.28'x4.92' neoprene cable H07RN-F 0.08"x0.04"Ø0.34" and 6.56'x4.92' neoprene cables 05RN-F 0.16"x0.02" Ø0.23"
MOUNTING	surface mounted (ceiling, wall, ground) with brackets
ACCESSORIES	see accessories page

RIVER / RIVER WALL

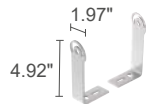
ACCESSORIES AND POWER SUPPLY UNITS

	RIVER 1.0	RIVER 1.1	RIVER 1.2	RIVER 2.0	RIVER 2.1	RIVER 2.2	RIVER 4.0	RIVER 5.0
<p>ACCESSORIES FOR INSTALLATION</p>  <p>Outer casing</p>  <p>Outer casing</p>	<p>WC6050 19.80"</p>	<p>WC6050 19.80"</p>	<p>WC6050 19.80"</p>				<p>WC6050 19.80"</p>	
				<p>WC6100 39.49"</p>	<p>WC6100 39.49"</p>	<p>WC6100 39.49"</p>		<p>WC6100 39.49"</p>

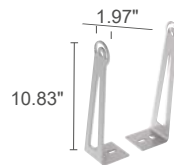
ACCESSORIES FOR INSTALLATION



WN6005
Alignment kit
for outer casings
(River)



WM0811
Pair of brackets h 4.92"
(River Wall)



WM0812
Pair of brackets h 10.83"
(River Wall)

RIVER 1.0 / RIVER 2.0
3000K, 20W - 40W, 11°

Light planning by / Inelga
Pazo A Toxeiriña
Moranã, Pontevedra, Spain



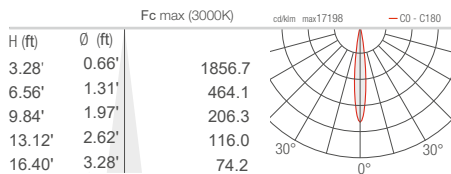


RIVER / RIVER WALL

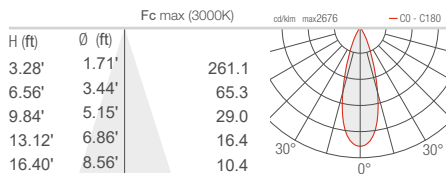
OUTDOOR LINEAR PROFILES

RIVER 1.0 RIVER WALL 1.0

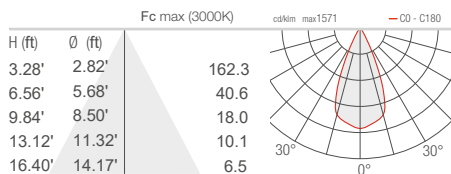
S - 11°



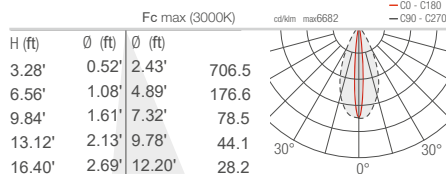
M - 30°



L - 47°

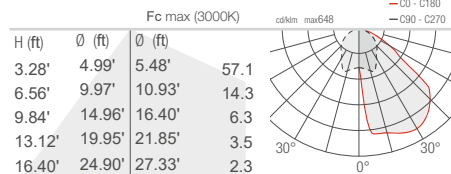


W - 10°x40°



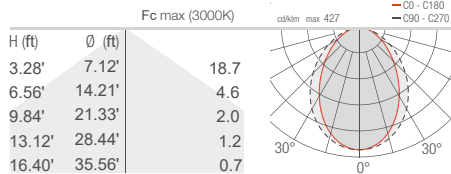
RIVER 1.1 RIVER WALL 1.1

V1 - Wall washer



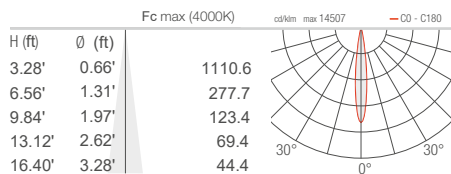
RIVER 1.2 RIVER WALL 1.2

D - Diffuse

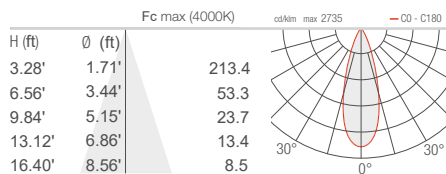


RIVER 4.0 RIVER WALL 4.0

S - 13°



M - 33°



L - 47°

