

# RIVER 2.2

River is a family of outdoor recessed linear profile fixtures for installation in floors or walls. The family is available in static white, blue or RGBW with a variety of optics options. River 2.2 is available in static white with diffuse optics. Drive-over rated to 4,400 lbs.

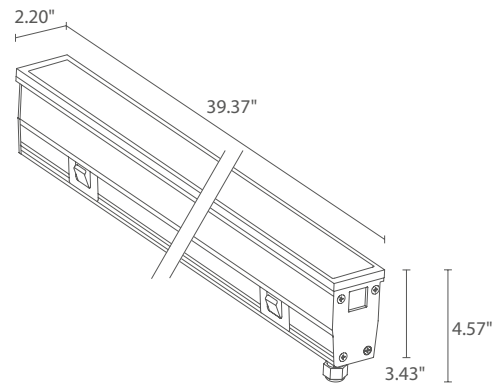
## TECHNICAL DATA

<b>Wattage / Input</b>	20W (120VAC)
<b>Power Supply</b>	Integral
<b>Construction</b>	Body: Anodized Aluminum Alloy EN AW 6060 Lens: Extra-Clear, Acid-Etched, Tempered Glass
<b>CCT</b>	2700K, 3000K, 4000K
<b>CRI</b>	>80
<b>Delivered Lumens</b>	946 lm (3000K)
<b>Efficacy</b>	47.3 lm/W (3000K)
<b>Optics</b>	Diffuse
<b>Finishes</b>	N/A
<b>Fixture Dimensions</b>	39.37" l x 2.20" w x 4.57" h LED Spacing: 1.97"
<b>Fixture Weight</b>	12.46 lbs
<b>LED Source</b>	132 SMD Low-Power LEDs
<b>Lumen Maintenance</b>	L90, B10>50,000hrs (Ta 25°C)
<b>Color Consistency</b>	3-Step MacAdam
<b>Operating Temp.</b>	-4°F to +113°F
<b>IP Rating</b>	IP67
<b>IK Rating</b>	IK09
<b>Driveover</b>	4,409 lbs



Cutout Dimensions  
for Installation = 2.48" x 39.45"

Fixture Dimensions



**OUTER CASING REQUIRED**

## ORDERING INFORMATION

Example: RV22105DV. Accessories ordered separately.

RV2210		D	V
<b>Model No.</b>	<b>CCT</b>	<b>Optics</b>	<b>Finish</b>
RV2210	F - 2700K 5 - 3000K 9 - 4000K	D - Diffuse	V - Aluminum

Job Name/Date:

Fixture Type Designation:

## ACCESSORIES - Installation



**WC6100**  
Outer Casing - **REQUIRED**



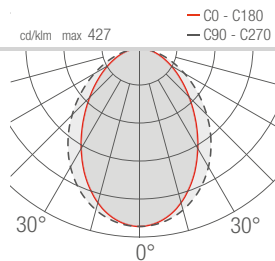
**WN6005**  
Alignment kit  
for outer casing

## PHOTOMETRIC DATA

Note all Photometry is 3000K

**D** - Diffuse

H (ft)	Ø (ft)	fc max (3000K)
3.28'	7.12'	18.7
6.56'	14.21'	4.6
9.84'	21.33'	2.0
13.12'	28.44'	1.2
16.40'	35.56'	0.7



Job Name/Date:

Fixture Type Designation: