

SIDUS



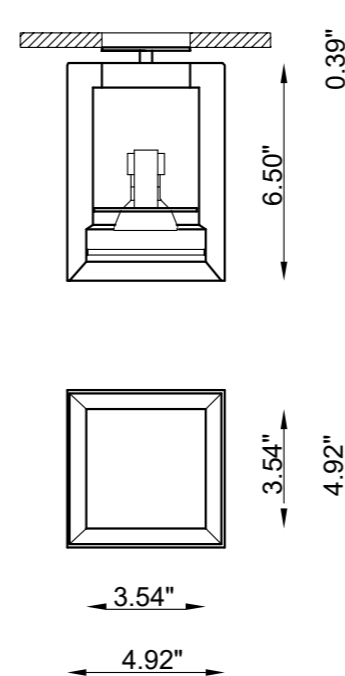
Sidus is an indoor wall lamp made of AirCoral® that traces a new path inside architectural spaces. A scattered and consistent light that decorates simply with its presence, highlighting with simplicity the details of the space.

designplan™ 



79 Trenton Avenue
Frenchtown, NJ 08825

www.designplan.com

Tel: (908) 996-7710
Fax: (908) 996-7042



TECHNICAL FEATURES

Code	BU3028.Z.AC.US
Type	Ceiling lamp 
Material	AC: AirCoral®
Absorption capacity*	52.4 ft ²
Mounting	Ceiling mounting
IP rating	IP20
Control gear	Constant current electronic driver (not included)
Lamp type	LED 500mA 
Lamp wattage	1 x 10W
Luminous efficacy	1050 lm - 3000K
Light distribution	Wide beam 40°
Light color	White 3000K White 2700K 4000K (on request)
CRI	>90



* The absorption capacity per ft³ calculated by the American organization TCNA (Tile Council of North America) is measured for an average room of 8.86' in height and therefore expressed in ft²