

# SMOOTHY 2.0

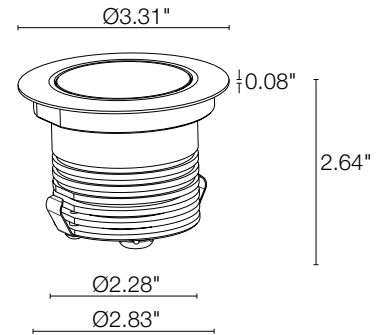
The Smoothy 2.0 is a walkover rated LED ingrade uplight for outdoor use with no visible screws. Can also be a downlight when used with the fixing springs accessory. Static white and RGB models available.



## TECHNICAL DATA

<b>Wattage / Input</b>	6W (24VDC), 9W (350mA, RGB)
<b>Power Supply</b>	Remote, not included. See page 2.
<b>Construction</b>	Body: Anodized aluminium Trim: AISI 316L Stainless Steel Lens: Tempered, transparent extra-clear glass (optics version); Sandblasted (diffuse version) Cable Length: 4.9' standard
<b>CCT</b>	2700K, 3000K, 4000K, 5000K, RGB
<b>CRI</b>	CRI >80 (Static White)
<b>Delivered Lumens</b>	302 lm (3000K, 25°) 147 lm: (R) 54 lm, (G) 70 lm, (B) 23 lm
<b>Efficacy</b>	50 lm/W (3000K, 25°), 16 lm/W (RGB)
<b>Optics</b>	4 Standard (see below)
<b>Finishes</b>	Stainless Steel, Custom RAL
<b>Fixture Dimensions</b>	Ø3.31" x 2.64" h
<b>Cut-out Dimension</b>	Ø2.95" (for ceiling installations)
<b>Fixture Weight</b>	0.95 lbs
<b>LED Source</b>	3 Power LED (White); 3 Full-Color LED (RGB)
<b>Lumen Maintenance</b>	L80>50,000hrs (Ta 25°C)
<b>Color Consistency</b>	1/4 ANSI BIN
<b>Operating Temp.</b>	-4°F to +113°F
<b>IP Rating</b>	IP67
<b>IK Rating</b>	IK08

Fixture Dimensions



## ORDERING INFORMATION

Example: SY20916LI. Accessories / Power Supplies ordered separately.

<b>Model No.</b>	<b>CCT</b>	<b>Optics</b>	<b>Trim</b>
SY2000 - 6W (24VDC) Static White Only	F - 2700K 5 - 3000K 9 - 4000K 0 - 5000K	S - 7° M - 25° L - 40° D - Diffuse	I - Stainless Steel C - Custom RAL <i>(consult factory for "C")</i>
<b>Model No.</b>	<b>CCT</b>		
SY2091 - 9W (350mA) RGB Only	6 - RGB		

Job Name/Date:

Fixture Type Designation:

## SUGGESTED POWER SUPPLIES

24VDC - Static White

Part Number	Description	Input/Output	# of Fixtures 6W White
<a href="#">PPLT00056</a>	Non-Dim	120-277VAC to 24VDC, 26W, Class 2, IP66	1-3
<a href="#">PPLT00157</a>	Non-Dim	120-277VAC to 24VDC, 60W, Class 2	1-8
<a href="#">PPLT00599</a>	ELV / TRIAC & 0-10V Dimming (100-0%)	120-277VAC to 24VDC, 96W, Class 2	1-12
<a href="#">PPLT00158</a>	Non-Dim	120-277VAC to 24VDC, 100W, Class 2	1-13
<a href="#">PPLT00543</a>	0-10V Dimming to 10%	120-277VAC to 24VDC, 100W, Class 2	1-13

350mA - RGB

Part Number	Description	Input/Output	# of Fixtures 9W RGB
<a href="#">PPLT00244-P</a>	DMX/RDM (Must advise DMX addresses if not using RDM)	120-277VAC to 500mA, 50W, Class 2	1-4
<a href="#">PPLT00129-P</a>	DMX / RDM (Field Addressable)	120-277VAC to 500mA, 100W, Class 2	1-5

For other power supply options consult factory.

## ACCESSORIES

### Installation



**WC4020**  
Outer Casing  
*For ingrade use*



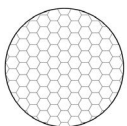
**WG0502**  
Fixing spring  
*For ceiling use*



**WL0100**  
Suction cup fixture  
removal tool

## ACCESSORIES

### Anti-Glare



**WH0200**  
Honeycomb Louvre  
*Not available for diffuse optics*

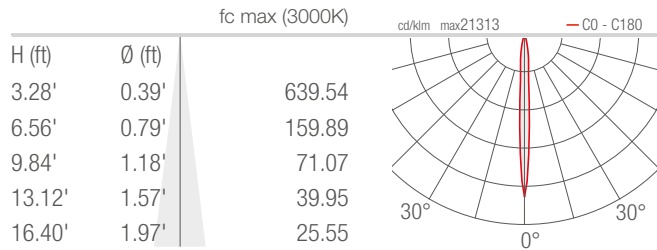
Job Name/Date:

Fixture Type Designation:

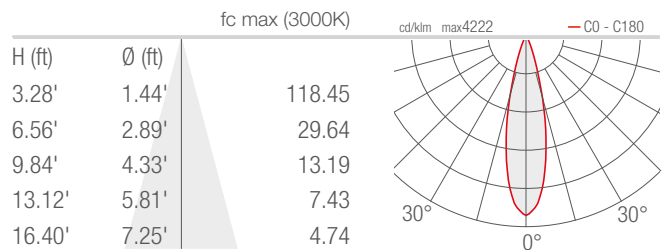
## PHOTOMETRIC DATA

Note all photometry is 3000K, CRI 80

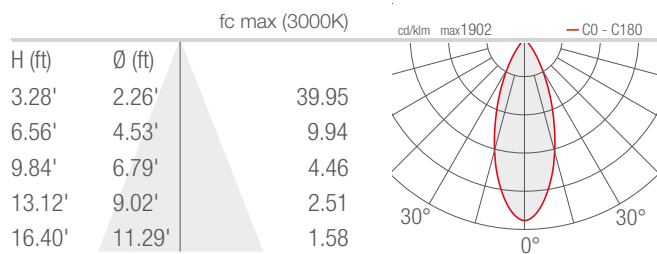
### S - 7°



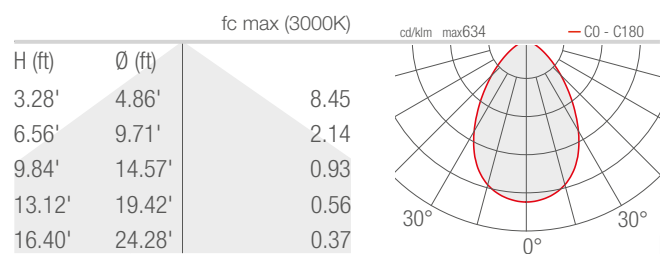
### M - 25°



### L - 40°



### D - Diffuse



Job Name/Date:

Fixture Type Designation: