

SPOT 3.0 316L

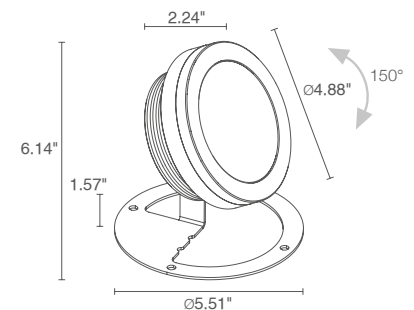
The Spot 3.0 316L spotlight is suitable for outdoor, fountain and underwater use. Available in white, blue or RGB light with 3 optic options.



TECHNICAL DATA

Wattage / Input	12W, 18W (24VDC); 18W RGB (500mA)
Power Supply	Remote, not included. See page 2.
Construction	Body: AISI 316L Stainless Steel Trim: AISI 316L Stainless Steel Lens: Transparent tempered glass
CCT	2700K, 3000K, 4000K, 5000K, Blue, RGB
CRI	CRI >80
Delivered Lumens	596 lm (3000K, 20°, 12W) 893 lm (3000K, 20°, 18W) RGB 565 lm: (R) 208 lm (G) 268 lm (B) 89 lm (500mA, 20°)
Efficacy	49.7 lm/W (3000K, 20°, 12W) 49.6 lm/W (3000K, 20°, 18W) RGB: 31.4 lm/W (500mA, 24°)
Optics	10°, 20°, 40°
Finishes	Stainless Steel
Fixture Dimensions	Ø4.9" x 6.1" l
Fixture Weight	6.72 lbs
LED Source	White: 6 (12W), 9 Power LEDs RGB: 9 Power LEDs
Lumen Maintenance	L90, B10>50,000hrs (Ta 25°C)
Color Consistency	1/4 ANSI BIN
Operating Temp.	-4°F to +113°F
IP Rating	IP68
IK Rating	IK09

Fixture Dimensions



ORDERING INFORMATION

Example: PW20329MAI or PW20329MAI-2. Accessories / Power Supplies ordered separately.

			AI	
Model No.	CCT	Optics	Trim	Cable Length
PW3062 - 12W	F - 2700K	S - 10°	AI - Stainless Steel	16.4' standard
PW3092 - 18W	5 - 3000K	M - 20°		2 - 32.81'
	9 - 4000K	L - 40°		3 - 49.21'
	0 - 5000K			4 - 65.62'
	1 - Blue			
PW3092 - 18W	6 - RGB			

Job Name/Date:

Fixture Type Designation:

SUGGESTED POWER SUPPLIES

24VDC - FOR OUTDOOR USE ONLY

Part Number	Description	Input/Output	# of Fixtures	
			12W	18W
PPLT00056	Non-Dim	120-277VAC to 24VDC, 26W, Class 2, IP66	1-1	1-1
PPLT00157	Non-Dim	120VAC to 24VDC, 60W, Class 2	1-4	1-2
PPLT00599	ELV / TRIAC 0-10V Dimming (100-0%)	120-277VAC to 24VDC, 96W, Class 2, IP64	1-6	1-4
PPLT00158	Non-Dim	120VAC to 24VDC, 100W, Class 2	1-6	1-4
PPLT00543	0-10V Dimming to 15% (-40°C / -40°F cold weather start)	120-277VAC to 24VDC, 100W, Class 2	1-6	1-4

24VDC - FOR USE WITH FOUNTAIN / WATER FEATURES

Part Number	Description	Input/Output	# of Fixtures	
			12W	18W
FPV-100000024	Non-Dim	120-277VAC to 24VDC, 100W, Class 2, NEMA 4	1-6	1-4
FPV-100100024	0-10V Dimming to 1.0%	120-277VAC to 24VDC, 100W, Class 2, NEMA 4	1-6	1-4
FPV-100EL0024	DMX / RDM (Field Addressable) / DALI	120-277VAC to 24VDC, 100W, Class 2, NEMA 4	1-4	1-4

500mA RGB - FOR OUTDOOR USE ONLY

Part Number	Description	Input/Output	# of Fixtures
			18W
PPLT00244-P	DMX/RDM (Must advise DMX addresses if not using RDM)	120-277VAC to 500mA, 50W, Class 2	1-2
PPLT00129-P	DMX / RDM (Field Addressable)	120-277VAC to 500mA, 100W, Class 2	1-4

500mA RGB - FOR USE WITH FOUNTAIN / WATER FEATURES

Part Number	Description	Input/Output	# of Fixtures
			18W
FPC-100EL0500	DMX / RDM (Field Addressable) / DALI	120-277VAC to 500mA, 100W, Class 2, NEMA 4	1-1

For other power supply options consult factory.

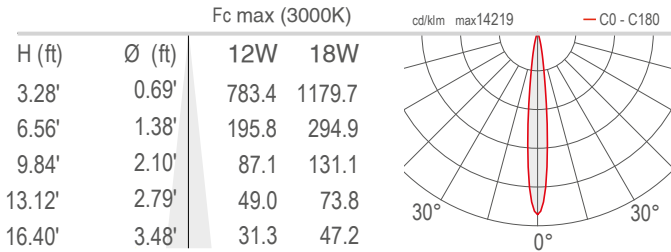
Job Name/Date:

Fixture Type Designation:

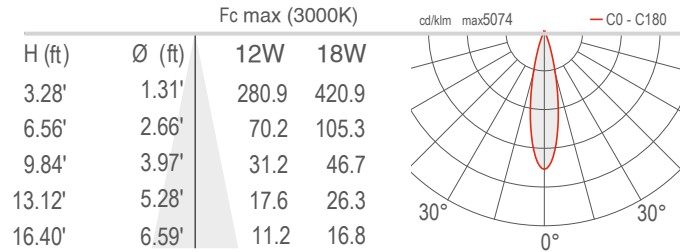
PHOTOMETRIC DATA

Note all photometry in 3000K, CRI 80

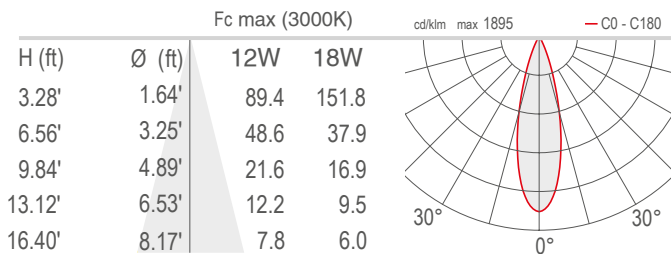
S - 10°



M - 20°



L - 40°



Job Name/Date:

Fixture Type Designation: