

STRIPP IP54

OUTDOOR

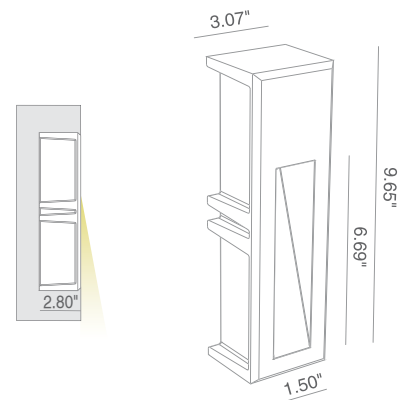
Stripp IP54 is a recessed long and narrow fixture made of CALCYT® plaster that can be used as an up- or downlight and is equipped with state of the art LED technology. It is available in 5 color temperatures and can be directly installed in solid walls as well as in gypsum walls by means of an optional plasterkit.



TECHNICAL DATA

| | |
|---------------------------|--|
| Wattage / Input | 1W, 2W, 4W (350mA) |
| Power Supply | Remote, not included. See page 2. |
| Construction | Body: CALCYT® Plaster |
| CCT | 2200K, 2700K, 3000K, 4000K, Royal Blue |
| CRI | >90, >80 |
| Delivered Lumens | 46 lm (1W, 3000K) |
| Efficacy | 46 lm/W (1W, 3000K) |
| Optics | Fixed |
| Finishes | CALCYT® Plaster - fully paintable |
| Fixture Dimensions | 3.07" w x 9.65" h x 2.80" l |
| Cut-out Dimension | 3.27" x 9.80" |
| Aperature | 1.50" w x 6.69" h |
| Color Consistency | 3-Step MacAdam |
| IP Rating | IP54 |

Ceiling Cut-Out: 3.27" x 9.80"
Fixture Dimensions



ORDERING INFORMATION

Example: 144 60 505. Accessories / Power Supplies ordered separately.

| |
|--|
| |
|--|

| Model No. | Description |
|-------------------------|----------------------------------|
| 144 60 505 - 2200K | 1W, 100 lm, CRI 80, IP54 Outdoor |
| 144 60 005 - 2700K | 1W, 100 lm, CRI 90, IP54 Outdoor |
| 144 60 105 - 3000K | 1W, 100 lm, CRI 90, IP54 Outdoor |
| 144 60 205 - 4000K | 1W, 100 lm, CRI 90, IP54 Outdoor |
| 144 60 305 - royal blue | 1W, 100 lm, CRI 90, IP54 Outdoor |
| 144 62 505 - 2200K | 2W, 200 lm, CRI 80, IP54 Outdoor |
| 144 62 005 - 2700K | 2W, 200 lm, CRI 90, IP54 Outdoor |
| 144 62 105 - 3000K | 2W, 200 lm, CRI 90, IP54 Outdoor |
| 144 62 205 - 4000K | 2W, 200 lm, CRI 90, IP54 Outdoor |
| 144 62 305 - royal blue | 2W, 200 lm, CRI 90, IP54 Outdoor |
| 144 61 505 - 2200K | 4W, 400 lm, CRI 80, IP54 Outdoor |
| 144 61 005 - 2700K | 4W, 400 lm, CRI 90, IP54 Outdoor |
| 144 61 105 - 3000K | 4W, 400 lm, CRI 90, IP54 Outdoor |
| 144 61 205 - 4000K | 4W, 400 lm, CRI 90, IP54 Outdoor |
| 144 61 305 - royal blue | 4W, 400 lm, CRI 90, IP54 Outdoor |

Job Name/Date:

Fixture Type Designation:

SUGGESTED POWER SUPPLIES

350mA

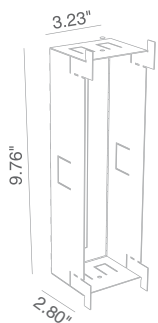
| Part Number | Description | Input/Output | # of Fixtures | | |
|-----------------------------|-----------------------|------------------------------------|---------------|------|------|
| | | | 1W | 2W | 4W |
| PPLT00138 | 0-10V Dimming to 10% | 120-277VAC to 350mA, 4W, Class 2 | 2-3 | 1-1 | N/A |
| PPLT00496 | Phase Dim (120V only) | 120VAC to 350mA, 12W, Class 2 | 3-9 | 2-6 | 1-3 |
| PPLT00480-P | 0-10V Dimming to 1.0% | 120-277VAC to 350mA, 30W, Class 2 | 1-16 | 1-9 | 1-4 |
| PPLT00309-P | 0-10V Dimming to 0.1% | 120-277VAC to 350mA, 50W, Class 2 | 1-16 | 1-9 | 1-4 |
| PPLT00538-P | 0-10V Dimming to 0.1% | 120-277VAC to 350mA, 100W, Class 2 | 1-68 | 1-40 | 1-16 |

Suggested Lutron Compatible

| Part Number | Option | Lutron SKU | Dim Range | Description | Input/Output | # of Fixtures | | |
|---------------------------|----------------|------------|-----------|---|-----------------------------------|---------------|-----|-----|
| | | | | | | 1W | 2W | 4W |
| PPLT00252 | LTEA2W | LTEA | 100%-1% | Hi-Lume™ 1% 2-Wire LED Driver (120V forward phase only) | 120VAC to 350mA, 7W, Class 2 | 4-5 | 2-3 | 1-1 |
| PPLT00247 | L3DAE / L3DA3W | L3DA | 100%-1% | Hi-Lume™ 1% EcoSystem™ or 1% 3-Wire LED Driver | 120-277VAC to 350mA, 7W, Class 2 | 4-5 | 2-3 | 1-1 |
| PPLT00516 | L3DAE / L3DA3W | L3DA | 100%-1% | Hi-Lume™ 1% EcoSystem™ or 1% 3-Wire LED Driver | 120-277VAC to 350mA, 13W, Class 2 | 6-11 | 3-6 | 2-3 |
| PPLT00271 | LTEA2W | LTEA | 100%-1% | Hi-Lume™ 1% 2-Wire LED Driver (120V forward phase only) | 120VAC to 350mA, 13W, Class 2 | 6-11 | 3-6 | 2-3 |
| PPLT00179 | L3DAE / L3DA3W | L3DA | 100%-1% | Hi-Lume™ 1% EcoSystem™ or 1% 3-Wire LED Driver | 120-277VAC to 350mA, 19W, Class 2 | 12-16 | 6-9 | 3-4 |
| PPLT00220 | LTEA2W | LTEA | 100%-1% | Hi-Lume™ 1% 2-Wire LED Driver (120V forward phase only) | 120VAC to 350mA, 19W, Class 2 | 12-16 | 6-9 | 3-4 |

For other power supply options consult factory.

ACCESSORIES - Installation



744 01 000
Outer Casing
Housing: perforated aluminum

Job Name/Date:

Fixture Type Designation:

STRIPP IP54

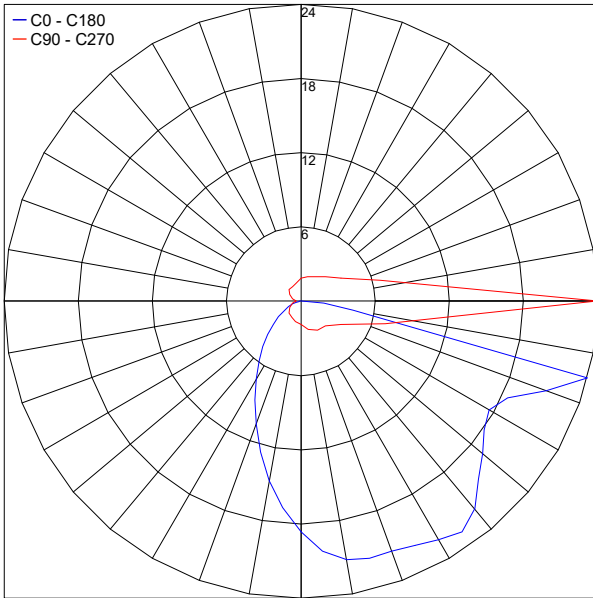
OUTDOOR

PHOTOMETRIC DATA

Note all Photometry is 3000K

1W

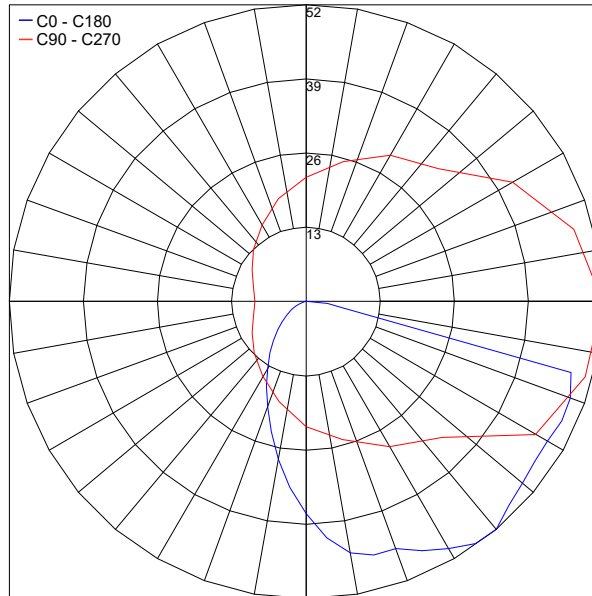
Maximum Candela = 24.14



PHOTOMETRIC FILENAME : STRIPP (100LM, CRI90).IES

2W

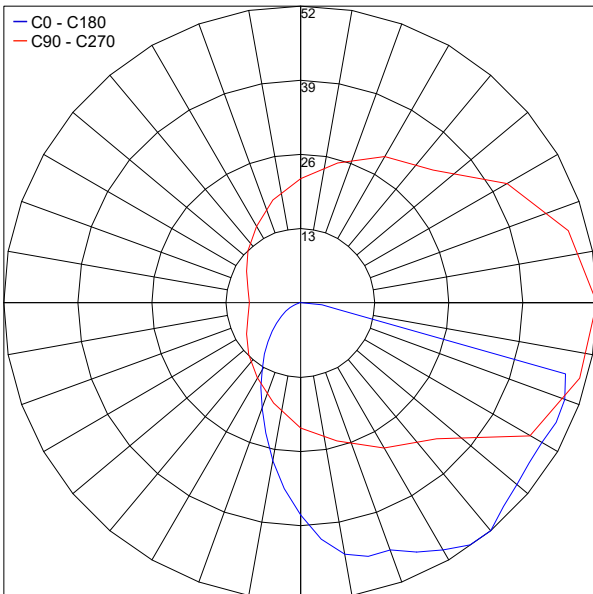
Maximum Candela = 51.84



PHOTOMETRIC FILENAME : STRIPP (200LM, 3000K, CRI90).IES

4W

Maximum Candela = 51.84



PHOTOMETRIC FILENAME : STRIPP (200LM, 3000K, CRI90).IES

Job Name/Date:

Fixture Type Designation: