

SUPERNOVA



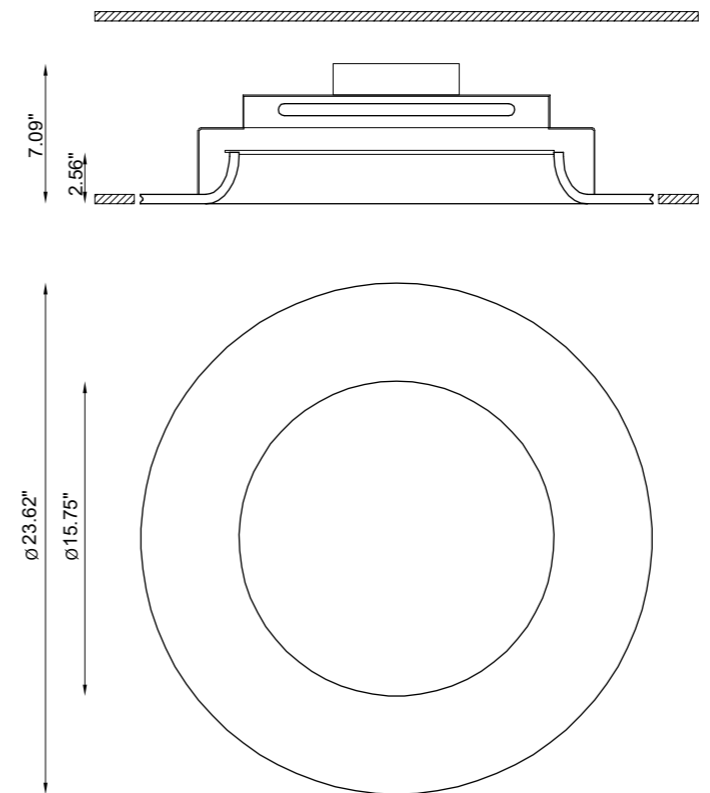
A bright explosion, a detail of light that suddenly stands out in the spaces, illuminating in a decisive way. Supernova is a totally disappearing direct light recessed indoor luminaire made of AirCoral®, installable on plasterboard ceilings, perfect to enlighten architectural details. The rounded light hole creates a decisive light to enhance the plasticity of the ceiling, satisfying the contemporary architectural requests.

designplan™ 




79 Trenton Avenue
Frenchtown, NJ 08825

www.designplan.com

Tel: (908) 996-7710
Fax: (908) 996-7042



TECHNICAL FEATURES

Code	BU5133.AC.US
Type	Downlight 90° 
Material	AC: AirCoral®
Absorption capacity*	226.47 ft ²
Weight	19.84 lbs
Mounting	Ceiling recessed
IP rating	IP40
Control gear	Constant current electronic driver
Cut out for plasterboard	Ø 25.98"
Lamp type	LED 700mA 
Lamp wattage	20W
Delivered lumens	2750 lm
Light distribution	Wide beam 120°
Light color	White 3000K
Light hole	Ø 15.75"
CRI	>90 

* The absorption capacity per ft³ calculated by the American organization TCNA (Tile Council of North America) is measured for an average room of 8.86' in height and therefore expressed in ft²