

TAURUS DOUBLE

Taurus is an indoor recessed downlight made of Coral[®] that is available with a single, double or triple rearward spotlight that is extractable and adjustable on both axes. It comes in 3000K as standard with a 22° optic - installable on plasterboard ceilings or walls.



TECHNICAL DATA

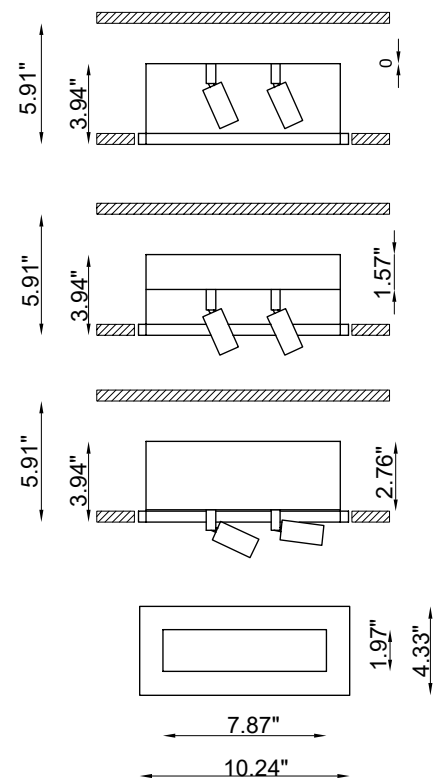
Wattage / Input	2 x 6W (500mA)
Power Supply	Remote, not included. See page 2.
Construction	Body: Coral [®]
CCT	3000K (2700K, 4000K on request)
CRI	>90
Delivered Lumens	780 lm per beam (3000K)
Efficacy	130 lm/W per beam
Optics	22° (50° on request)
Finishes	Black, White
Fixture Dimensions	10.24" l x 4.33" w x 3.94" h
Cut-out Dimension	10.63" x 4.72"
Aperature	1.97" x 7.87"
Fixture Weight	4.41 lbs
IP Rating	IP40

The body is made of Coral[®] a unique patented composite material made from natural minerals and aggregating elements.

Additionally, Coral[®] is:

- Extreme resistance to high temperatures and thermal shock.
- Highly impervious to knocks and scratches.
- Can easily be decorated with any type of paint (water or spirit based).
- Made of non-toxic materials and is non-allergic.
- Does not produce fumes, even in case of fire.
- Naturally dust repellent.

Fixture Dimensions



ORDERING INFORMATION

Example: BU1832.00.US. Power Supplies ordered separately.

	00	US
Model No.	Finish	
BU1832 - Black BU1835 - White	00 - Coral [®]	US

Job Name/Date:

Fixture Type Designation:

SUGGESTED POWER SUPPLIES

500mA

Part Number	Description	Input/Output	# of Fixtures
PPLT00154	0-10V Dimming to 10%	120-277VAC to 500mA, 12W, Class 2	1-1
PPLT00469	Phase Dim (120V only)	120VAC to 500mA, 14W, Class 2	1-1
PPLT00308-P	0-10V Dimming to 0.1%	120-277VAC to 500mA, 30W, Class 2	1-2
PPLT00168-P	0-10V Dimming to 1.0%	120-277VAC to 500mA, 50W, Class 2	1-4
PPLT00538-P	0-10V Dimming to 0.1%	120-277VAC to 500mA, 100W, Class 2	1-8

Suggested Lutron Compatible

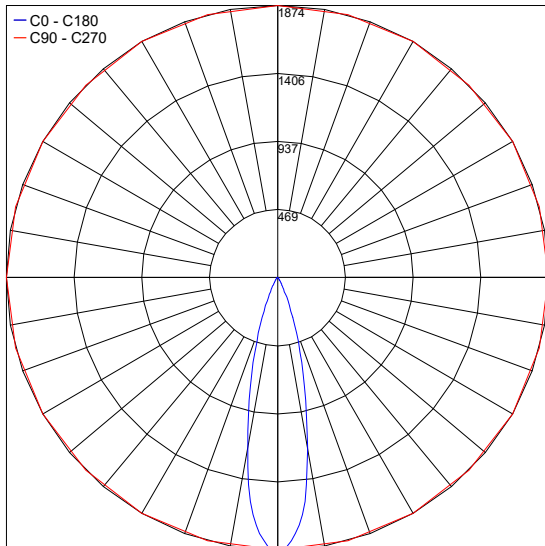
Part Number	Option	Lutron SKU	Dim Range	Description	Input/Output	# of Fixtures
PPLT00195	L3DAE / L3DA3W	L3DA	100%-1%	Hi-Lume™ 1% EcoSystem™ or 1% 3-Wire LED Driver	120-277VAC to 500mA, 19W, Class 2	1-1
PPLT00250	LTEA2W	LTEA	100%-1%	Hi-Lume™ 1% 2-Wire LED Driver (120V forward phase only)	120VAC to 500mA, 27W, Class 2	2-2
PPLT00180	L3DAE / L3DA3W	L3DA	100%-1%	Hi-Lume™ 1% EcoSystem™ or 1% 3-Wire LED Driver	120-277VAC to 500mA, 27W, Class 2	2-2

For other power supply options consult factory.

PHOTOMETRIC DATA

Note all Photometry is 3000K

Maximum Candela = 1874.3



Job Name/Date:

Fixture Type Designation: