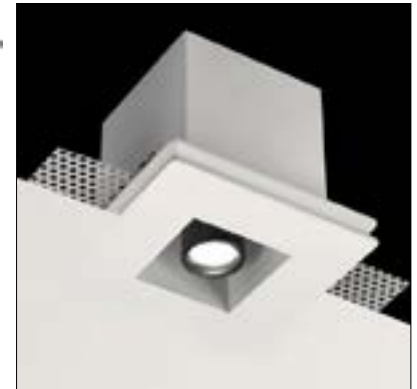


# TAURUS SINGLE

Taurus is an indoor recessed downlight made of Coral® that is available with a single, double or triple rearward spotlight that is extractable and adjustable on both axes. It comes in 3000K as standard with a 22° optic - installable on plasterboard ceilings or walls.



## TECHNICAL DATA

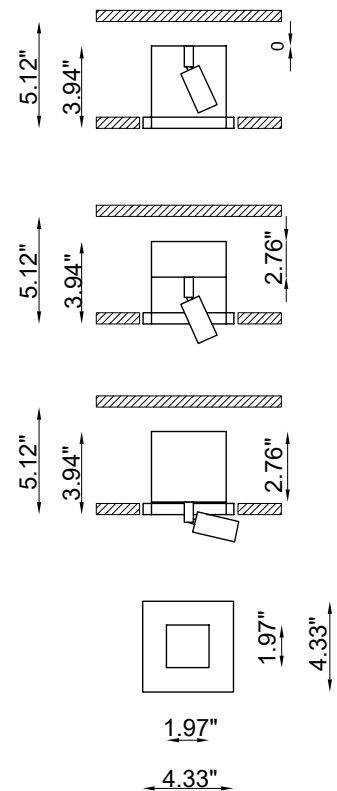
<b>Wattage / Input</b>	6W (500mA)
<b>Power Supply</b>	Remote, not included. See page 2.
<b>Construction</b>	Body: Coral®
<b>CCT</b>	3000K (2700K, 4000K on request)
<b>CRI</b>	>90
<b>Delivered Lumens</b>	780 lm (3000K)
<b>Efficacy</b>	130 lm/W
<b>Optics</b>	22° (50° on request)
<b>Finishes</b>	Black, White
<b>Fixture Dimensions</b>	4.33" l x 4.33" w x 3.94" h
<b>Cut-out Dimension</b>	4.72" x 4.72"
<b>Aperature</b>	1.97" x 1.97"
<b>Fixture Weight</b>	2.20 lbs
<b>IP Rating</b>	IP40

The body is made of Coral® a unique patented composite material made from natural minerals and aggregating elements.

Additionally, Coral® is:

- Extreme resistance to high temperatures and thermal shock.
- Highly impervious to knocks and scratches.
- Can easily be decorated with any type of paint (water or spirit based).
- Made of non-toxic materials and is non-allergic.
- Does not produce fumes, even in case of fire.
- Naturally dust repellent.

Fixture Dimensions



## ORDERING INFORMATION

Example: BU1831.00.US. Power Supplies ordered separately.

	00	US
<b>Model No.</b>	<b>Finish</b>	
BU1831 - White	00 - Coral®	US
BU1834 - Black		

Job Name/Date:

Fixture Type Designation:

## SUGGESTED POWER SUPPLIES

500mA

Part Number	Description	Input/Output	# of Fixtures
<a href="#">PPLT00187</a>	0-10V Dimming to 10%	120-277VAC to 500mA, 10W, Class 2	1-1
<a href="#">PPLT00469</a>	Phase Dim (120V only)	120VAC to 500mA, 14W, Class 2	1-2
<a href="#">PPLT00308-P</a>	0-10V Dimming to 0.1%	120-277VAC to 500mA, 30W, Class 2	1-4
<a href="#">PPLT00168-P</a>	0-10V Dimming to 1.0%	120-277VAC to 500mA, 50W, Class 2	1-8
<a href="#">PPLT00538-P</a>	0-10V Dimming to 0.1%	120-277VAC to 500mA, 100W, Class 2	1-16

## Suggested Lutron Compatible

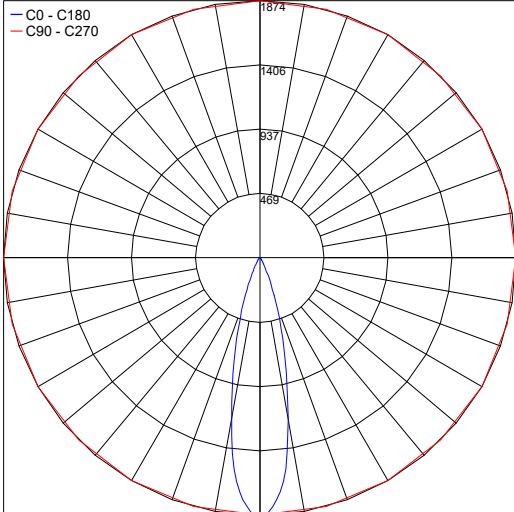
Part Number	Option	Lutron SKU	Dim Range	Description	Input/Output	# of Fixtures
<a href="#">PPLT00249</a>	LTEA2W	LTEA	100%-1%	Hi-Lume™ 1% 2-Wire LED Driver (120V forward phase only)	120VAC to 500mA, 10W, Class 2	1-1
<a href="#">PPLT00259</a>	L3DAE / L3DA3W	L3DA	100%-1%	Hi-Lume™ 1% EcoSystem™ or 1% 3-Wire LED Driver	120-277VAC to 500mA, 10W, Class 2	1-1
<a href="#">PPLT00195</a>	L3DAE / L3DA3W	L3DA	100%-1%	Hi-Lume™ 1% EcoSystem™ or 1% 3-Wire LED Driver	120-277VAC to 500mA, 19W, Class 2	2-3
<a href="#">PPLT00250</a>	LTEA2W	LTEA	100%-1%	Hi-Lume™ 1% 2-Wire LED Driver (120V forward phase only)	120VAC to 500mA, 27W, Class 2	3-4
<a href="#">PPLT00180</a>	L3DAE / L3DA3W	L3DA	100%-1%	Hi-Lume™ 1% EcoSystem™ or 1% 3-Wire LED Driver	120-277VAC to 500mA, 27W, Class 2	3-4

For other power supply options consult factory.

## PHOTOMETRIC DATA

Note all Photometry is 3000K

Maximum Candela = 1874.3



Job Name/Date:

Fixture Type Designation: