

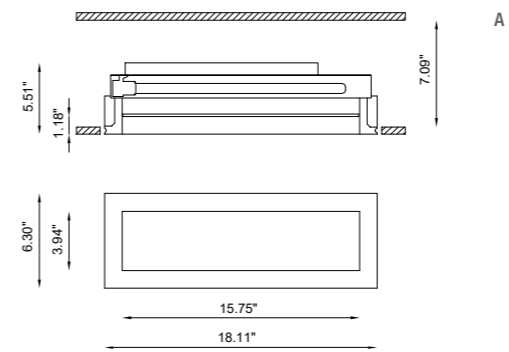
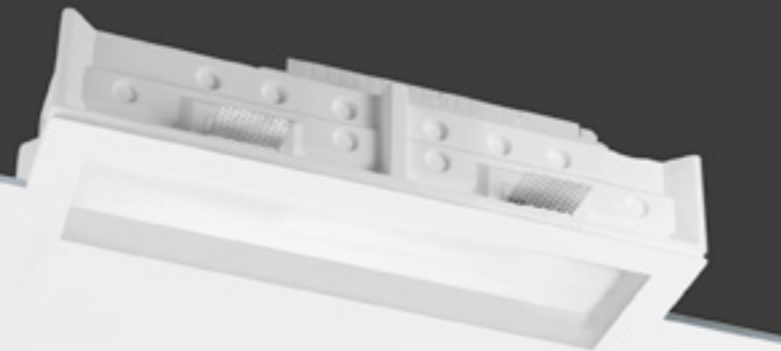
TEKNO



RECESSED FITTING WITH REAR GLASS, MAXIMUM INVISIBILITY.

Technology becomes emotion thanks to Tekno, a totally disappearing recessed luminaire made of AirCoral®, installable on plasterboard or brick ceilings: with its light, it wraps spaces up spreading sensation of delicate well-being and harmony.

A clean and essential design to give absolute prominence to the lit effect which, with no hesitation, enhances spaces and furniture.



TECHNICAL FEATURES

Code	BU6051.AC (fig. A)	BU6052.AC (fig. A)
Type	Downlight 90°	Downlight 90°
Material	AC: AirCoral®	AC: AirCoral®
Absorption capacity*	118.8 ft²	118.8 ft²
Weight	13.23 lbs	13.23 lbs
Mounting	Ceiling recessed	Ceiling recessed
IP rating	IP40	IP40
Control gear	Constant current electronic driver	Constant current electronic driver
Cut out for plasterboard	6.69" x 18.50"	6.69" x 18.50"
Lamp type	LED 350mA	LED 350mA
Lamp wattage	1 x 12W	2 x 12W
Luminous efficacy	1640 lm - 3000K	2 x 1640 lm - 3000K
Light distribution	Wide beam 120°	Wide beam 120°
Fitting	-	-
Light color	White 3000K White 2700K 4000K (on request)	White 3000K White 2700K 4000K (on request)
Light hole	3.94" x 15.75"	3.94" x 15.75"
Voltage connection	120-277VAC · 50/60Hz	120-277VAC · 50/60Hz
CRI	>90	>90
Note	Extra white satin glass. Frosted glass recessed 1.18" into the ceiling.	Extra white satin glass. Frosted glass recessed 1.18" into the ceiling.

OPTIONAL ACCESSORIES

product code	optional code	description	info
6051.AC	BR6051LT	Brick box	Dimensions L: 570 mm; W: 170 mm; D: 160 mm (instructions on page 502)
6052.AC	BR6052LT	Brick box	Dimensions L: 570 mm; W: 170 mm; D: 160 mm (instructions on page 502)



79 Trenton Avenue
Frenchtown, NJ 08825

www.designplan.com

Tel: (908) 996-7710
Fax: (908) 996-7042