

Tekno is a totally disappearing downlight made of AirCoral®, suitable for indoor installation on ceilings. It is available in 3000K as standard and a 120° wide beam light distribution.



TECHNICAL DATA

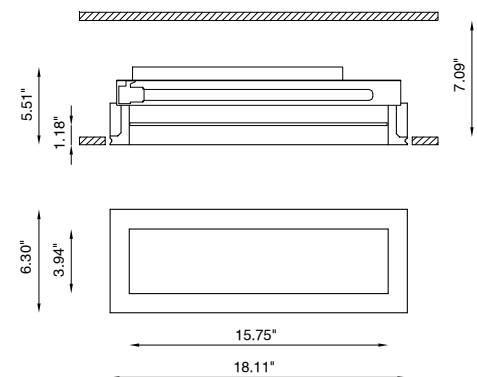
Wattage / Input	12W per beam (350mA)
Power Supply	Remote, not included. See page 2.
Construction	Body: AirCoral® Lens: Extra White Satin Glass
CCT	3000K (2700K, 4000K on request)
CRI	>90
Initial Lumens	1640 lm per beam (3000K)
Efficacy	136.7 lm/W
Optics	120° Wide Beam
Finishes	AirCoral® Plaster
Fixture Dimensions	18.11" l x 6.30" w x 5.51" h
Cutout Dimensions	18.50" x 6.69"
Aperature	15.75" x 3.94"
Fixture Weight	13.23 lbs
IP Rating	IP40

The body is made of Aircoral® a unique patented composite material that actually purifies the air. It can be calculated how many cubic feet each fixture will purify. See website for Aircoral® calculator.

Additionally, Aircoral® is:

- Antibacterial.
- Antifungal.
- Scratch-resistant.
- Dust-resistant.
- Suitable for painting.
- LEED recognized material.

Fixture Dimensions



ORDERING INFORMATION

Example: BU6051.AC.30.US. Power supplies ordered separately.

	AC		.US
Model No.	Material	CCT	
BU6051 (1 x 12W) BU6052 (2 x 12W)	AC - AirCoral®	30 - 3000K (standard) 27 - 2700K (on request) 40 - 4000K (on request)	

Job Name/Date:

Fixture Type Designation:

SUGGESTED POWER SUPPLIES

350mA - 1 x 12W version (BU6051)

Part Number	Description	Input/Output	Fixtures
PPLT00139	0-10V Dimming to 10%	120-277VAC to 350mA, 12W, Class 2	1-1
PPLT00468	Phase Dim (120V only)	120VAC to 350mA, 14W, Class 2	1-1
PPLT00465-P	0-10V Dimming to 1.0%	120-277VAC to 350mA, 20W, Class 2, DAMP	1-1
PPLT00308-P	0-10V Dimming to 0.1%	120-277VAC to 350mA, 30W, Class 2, DAMP	1-2
PPLT00467-P	0-10V Dimming to 1.0%	120-277VAC to 350mA, 50W, Class 2, DAMP	1-2

Suggested Lutron Compatible - 1x12W version (BU6051)

Part Number	Option	Lutron SKU	Dim Range	Description	Input/Output	# of Fixtures
PPLT00271	LTEA2W	LTEA	100%-1%	Hi-Lume™ 1% 2-Wire LED Driver (120V forward phase only)	120VAC to 350mA, 13W, Class 2	1-1
PPLT00516	L3DAE / L3DA3W	L3DA	100%-1%	Hi-Lume™ 1% EcoSystem™ or 1% 3-Wire LED Driver	120-277VAC to 350mA, 13W, Class 2	1-1

SUGGESTED POWER SUPPLIES

350mA - 2 x 12W version (BU6052)

Part Number	Description	Input/Output	Fixtures
PPLT00308-P	0-10V Dimming to 0.1%	120-277VAC to 350mA, 30W, Class 2, DAMP	1-1
PPLT00467-P	0-10V Dimming to 1.0%	120-277VAC to 350mA, 50W, Class 2, DAMP	1-1

For other power supply options consult factory.

ACCESSORIES

Installation - Consult Factory for Back Box

Job Name/Date:

Fixture Type Designation: